

Ex d, Weatherproof



Features

- Zone 1 and Zone 2 use.
- Ex d IIC T5/T6.
- ATEX approved, Ex II 2G.
- IECEx certified Gb.
- CUTR certified.
- Chinese (CQST) certified.
- Brazilian (Inmetro) certified.
- IP66 and IP67.
- Certified Temperature: -55°C to $+55^{\circ}\text{C}$.
- Corrosion Free GRP.
- Various lens colours.
- Lens guard fitted as standard.
- Optional gland plus cable tail.
- Stainless steel mounting bracket & screws.
- Replaceable tube.

Introduction

These compact and lightweight beacons have been designed for use in potentially explosive atmospheres and harsh environmental conditions. The beacon housing, including the flamepaths, is manufactured completely from a UV stable glass reinforced polyester which is ideally suited for use offshore and onshore.

Stainless Steel screws and mounting bracket are incorporated ensuring a totally corrosion free unit.

Units can be painted to customer specification and supplied with identification labels.



Certification and Specification

ATEX Ex d:	Cert. no. Baseefa 04ATEX2031. Certified to: EN60079-0, EN60079-1. Ex II 2G, Ex d IIC T5/T6 Gb.
IECEX Ex d:	Cert. no. IECEX BAS 10.0113. Certified to: IEC60079-0, IEC60079-1. Ex d IIC T5/T6 Gb.
CUTR Ex d:	1Ex d IIC T5/T6 Gb.
Inmetro Ex d:	Ex d IIC T5/T6 Gb.
CQST Ex d:	Ex d IIC T5/T6 Gb.
Material:	Body & Cover: Glass Reinforced Polyester (GRP). Lens: Glass. Cover Screws & Bracket: Stainless Steel 316.
Finish:	Natural black or painted to customer specification.
Weight:	1.6kg.
Certified Temp:	-55°C to +40°C (T6). -55°C to +55°C (T5).
Ingress Protection:	IP66 & IP67.
Fire Retardancy:	GRP is fire retardant to ISO 1210.
Terminals:	3 x 2.5mm ² .
Mounting:	Wall mounted via bracket.
Entries:	1 x M20 or PG 13.5.
Optional:	1 x 3m cable tail and gland.
Tube Life:	> 1x10 ⁶ flashes

Electrical Ratings:

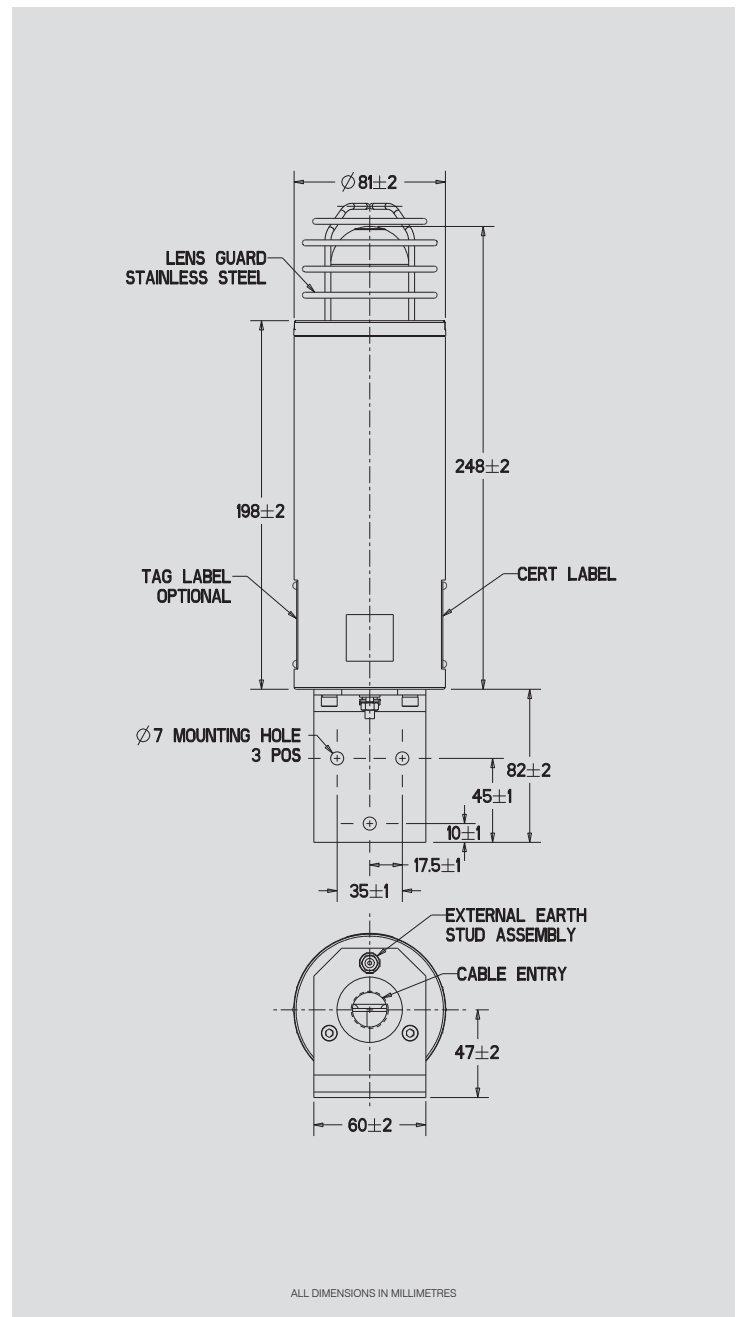
Voltage	d.c				a.c	
	12	24	48	60	110	240/254
Tube Energy (J)	5	5	5	5	5	5
Current (A)	0.65	0.35	0.18	0.13	0.08	0.06/0.057
Effective Intensity (Cd)	29	29	29	29	29	29
Peak Intensity (Cd)	22213	22213	22213	22213	22213	22213
Power Consumption (W)	8	9	9	8	9	15

Note: The above figures (Cd) are for a clear lens @ 1Hz flash rate.

Multiplying Factor for Coloured Lenses:

Red	Blue	Amber	Green	Yellow
0.15	0.12	0.51	0.49	0.86

The photometric data has been verified by BSI. A report is available if required.



Ordering Requirements

The following code is designed to help in selection of the correct unit. Build up the reference number by inserting the code for each component into the appropriate box.

Model XB9	Certification []	Voltage []	Flashrate []	Lens Colour []	Lens Guard Y	Tag / Duty []	Entries / Cable Tail []	Finish []
Certification Code Uncertified W ATEX D IECEX J CUTR G Chinese (CQST) Q Inmetro DM	Voltage Code 12V d.c. 012 24V d.c. 024 48V d.c. 048 60V d.c. 060 110V a.c. 110 240V a.c. 240 254V a.c. 254	Lens Colour Code Red R Blue B Green G Amber A Yellow Y Clear C	Flashrate Code 60 / min 06 <small>Other flash rates available on request, please specify.</small>	Label Code None N Yes Y* <small>* Please specify wording.</small>	Entries Code 1 x M20 1B 1 x PG 13.5 1P Cable & Tail 3m cable CB	Finish Code Natural Black N Red R Blue B Yellow Y Grey G White W Special S*		

All specifications, dimensions, weights and tolerances are nominal (typical) and MEDC reserve the right to vary all data without prior notice. No liability is accepted for any consequence of use.

