

XB13 10 joule xenon beacon range

Harsh industrial & marine environments



Overview

This range of ruggedised, weatherproof beacons, have been designed with high ingress protection to cope with harsh environmental conditions.

Features

- Weatherproof
- IP66 & IP67
- Operating temperature: -40°C to +70°C
- Corrosion resistant red painted GRP body
- High intensity flash
- Polycarbonate lens, various colours available
- Retained stainless steel cover screws
- Optional lens guard
- Optional telephone or relay initiate
- 3 x M20 cable entries
- Replaceable tube
- Switchable dual flash



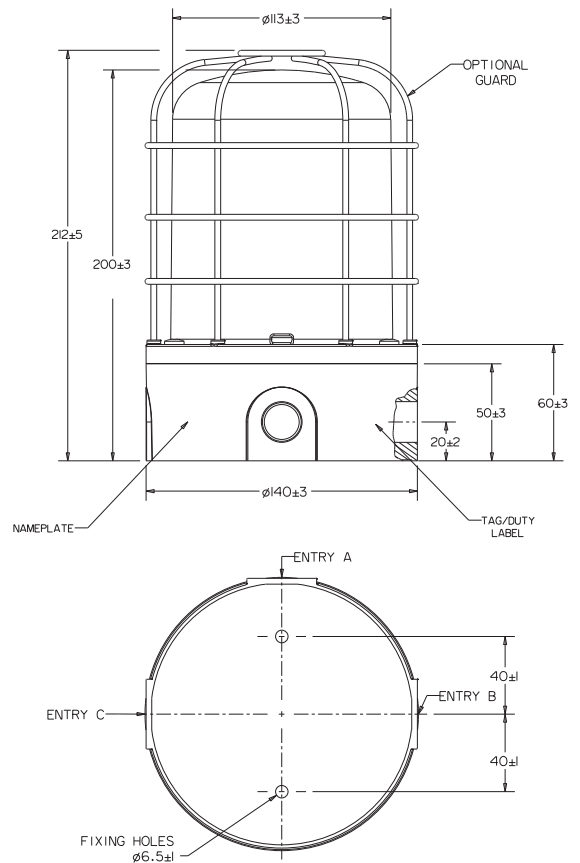
Specifications

Material	UV stable glass reinforced polyester body UV stable polycarbonate cover/lens Retained stainless steel cover screws	
Finish	Painted red as standard or to customer specification	
Tube energy	10 Joules (second flash 7.5 joules)	
Weight	1.1kg	
Operating temp	-40°C to +70°C	
Ingress protection	IP66 & IP67	
Tube life	>1 x 10 ⁶ flashes	
Voltage	12V d.c., 24V d.c., 48V d.c., 115V a.c., 230V a.c	
Current consumption	Voltage	Current consumption
	12V d.c.	1.4A
	24V d.c.	650mA
	48V d.c.	360mA
	115V a.c.	180mA
	230V a.c.	100mA
Tube type	Xenon discharge	
Lens colour	Various colours available	
Terminals	8 x 2.5mm ²	
Flash rate	1 flash per second	
Dual flash rate	Time between dual flashes = 0.5 seconds Charging time = 1 second Cycle repeats every 1.5 seconds	
Labels	Duty and tag labels available	
Cable entries	Up to 3 x M20 via knockouts	
Intensity	Effective intensity 220 Cd. Peak intensity 75,000 Cd (Figures are for clear lens at 1Hz flash rate)	
Relay initiate	Initiation by telephone ringing tone or low voltage control signals - not available with 48Vdc	

Multiplying factor for coloured lenses

Red	Blue	Amber	Green	Yellow
0.15	0.12	0.51	0.49	0.86

General arrangement drawing (all dimensions in mm)



Ordering requirements

The following code is designed to help in selection of the correct unit. Build up the reference number by inserting the code for each component into the appropriate box

Model

XB13

Voltage

Certification	Code
12Vdc	012
24Vdc	024
48Vdc	048
115Vdc	115
230Vdc	230

Lens colour

Option	Code
Red	R
Blue	B
Green	G
Amber	A
Yellow	Y
Clear	C

Guard

Guard	Code
None	N
Yes	Y

Options

Options	Code
None	N
Duty	D*
Tag	T*
Telephone initiate	T†
Relay initiate	R†

*Please specify wording
†Not available with 48Vdc

Finish

Finish	Code
Painted red	R
Special	S*

*Please specify