

Ex d, Weatherproof



Introduction

These high output certified beacons have been designed for use in potentially explosive atmospheres and harsh environmental conditions. The enclosures are suitable for use offshore or onshore, where lightweight combined with corrosion resistance is required.

The beacon housing is manufactured completely from a UV stable, glass reinforced polyester.

Stainless steel screws and mounting bracket are incorporated ensuring a totally corrosion free product.

Units can be painted to customer specification and supplied with identification labels.

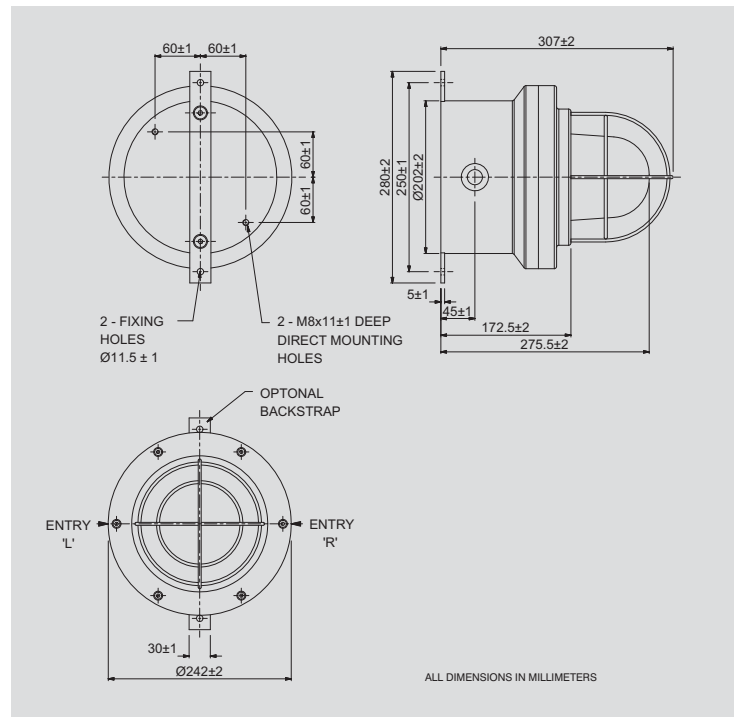
Features

- Zone 1 and Zone 2 use.
- Ex d IIB T4/T5/T6.
- ATEX approved, Ex II 2G.
- BASEEFA certified.
- UL Listed for USA and Canada:
 - Hazardous locations:
 - Class I, Div 2, Groups C & D.
 - Class I, Zones 1 & 2, AExd IIB T4 & T5.
 - Ordinary locations: Visual-Signal Device.
 - Marine Listed.
- IECEx certified Gb.
- CUTR certified.
- Chinese (CQST) certified.
- Inmetro certified.
- High Output (21 Joules).
- IP66 and IP67.
- Certified temperature: -55°C to $+70^{\circ}\text{C}$.
- Corrosion resistant GRP.
- Optional stainless steel backstrap.
- Various lens colours.
- Optional lens guard.
- Optional telephone initiation.
- Twin replaceable tubes.



Certification and Specification

ATEX Ex d:	Cert. no. BAS99ATEX2196. Certified to: EN60079-0, EN60079-1. Ex II 2G, Ex d IIB T4/T5/T6 Gb.
IECEX Ex d:	Cert. no. IECEx BAS 10.0094. Certified to: IEC60079-0, IEC60079-1. Ex d IIB T4/T5/T6 Gb.
UL Haz Locs:	Listing no. E187894. Class I, Div 2, Groups C & D. Class I, Zones 1 & 2, AExd IIB T4 & T5.
UL Ord Locs:	Listing no. S8128. Visual Signal Device.
CUTR Ex d:	1Ex d IIB T4/T5/T6 Gb.
Inmetro Ex d:	Ex d IIB T4/T5/T6 Gb.
CQST:	Ex d IIB T4/T5.
Material:	Body: Glass reinforced polyester. Lens: Toughened Glass. Cover Screws + Backstrap: Stainless steel 316.
Finish:	Natural black or painted to customer specification.
Weight:	7.0kg.
Certified Temp:	Exd -55°C to +70°C (T4). -55°C to +55°C (T5). -55°C to +40°C (T6). UL -55°C to +70°C (Hazardous Locations). -55°C to +55°C (Ordinary Locations).
Ingress Protection:	IP66 & 67.
Fire Retardancy:	GRP is fire retardant to ISO 1210.
Earth Continuity:	Optional for metal glands provided via a brass plate (not available in UL version).
Terminals:	6 x 6.0mm ² .
Telephone initiation:	Initiation by telephone ringing tone.
Labels:	Duty/Tag Label optional.
Entries:	2 x M20 ISO EExd. 2 x 1/2" NPT UL.
Tube Life:	>1x10 ⁶ flashes



Electrical Ratings:

	d.c.	a.c. 50/60Hz	
Voltage	24	110	240
XB12 Tube Energy (Joules)	21	21	21
Peak Current Consumption (mA)	1400	350	185
Effective Intensity (Cd)	355	355	355
Peak Intensity (Cd)	123691	123691	123691
Power Consumption (Watts)	33.6	38.5	44.4

NOTE: The Cd figures are for a clear lens @ 1Hz flash rate.

Multiplying Factor for Coloured Lenses:

Red	Blue	Amber	Green	Yellow
0.15	0.12	0.51	0.49	0.86

The photometric data has been verified by BSI. A report is available if required.

Ordering Requirements

The following code is designed to help in selection of the correct unit. Build up the reference number by inserting the code for each component into the appropriate box.

Model	Certification	Voltage	Flashrate	Lens Colour	Lens Guard	Fixings	Earth Continuity	Tag/Duty	Unit Options	Finish																																																								
XB12	<input type="text"/>	<input type="text"/>	<input type="text"/>	<input type="text"/>	<input type="text"/>	<input type="text"/>	<input type="text"/>	<input type="text"/>	<input type="text"/>	<input type="text"/>																																																								
	<table border="1"> <tr><th>Certification</th><th>Code</th></tr> <tr><td>Uncertified</td><td>W</td></tr> <tr><td>ATEX</td><td>B</td></tr> <tr><td>IECEX</td><td>J</td></tr> <tr><td>UL</td><td>UL</td></tr> <tr><td>UL (ordinary locations)</td><td>UW</td></tr> <tr><td>UL Marine</td><td>UM</td></tr> <tr><td>CUTR</td><td>G</td></tr> <tr><td>Chinese (CQST)</td><td>Q</td></tr> <tr><td>Inmetro</td><td>DM</td></tr> </table>	Certification	Code	Uncertified	W	ATEX	B	IECEX	J	UL	UL	UL (ordinary locations)	UW	UL Marine	UM	CUTR	G	Chinese (CQST)	Q	Inmetro	DM	<table border="1"> <tr><th>Fpm</th><th>Code</th></tr> <tr><td>60 / min</td><td>06</td></tr> </table> <p>Other flash rates available, please specify.</p>	Fpm	Code	60 / min	06	<table border="1"> <tr><th>Guard</th><th>Code</th></tr> <tr><td>None</td><td>N</td></tr> <tr><td>Yes</td><td>Y</td></tr> </table>	Guard	Code	None	N	Yes	Y	<table border="1"> <tr><th>Continuity</th><th>Code</th></tr> <tr><td>None</td><td>N</td></tr> <tr><td>Yes</td><td>Y*</td></tr> </table> <p>*Earth continuity not available in UL version.</p>	Continuity	Code	None	N	Yes	Y*	<table border="1"> <tr><th>Option</th><th>Code</th></tr> <tr><td>None</td><td>N</td></tr> <tr><td>Blanking Plug</td><td>P</td></tr> <tr><td>Telephone</td><td>T*</td></tr> </table> <p>*Telephone option not available in UL version.</p>	Option	Code	None	N	Blanking Plug	P	Telephone	T*	<table border="1"> <tr><th>Finish</th><th>Code</th></tr> <tr><td>Natural Black</td><td>N</td></tr> <tr><td>Red</td><td>R</td></tr> <tr><td>Blue</td><td>B</td></tr> <tr><td>Yellow</td><td>Y</td></tr> <tr><td>Grey</td><td>G</td></tr> <tr><td>White</td><td>W</td></tr> <tr><td>Special</td><td>S*</td></tr> </table> <p>*Please specify.</p>	Finish	Code	Natural Black	N	Red	R	Blue	B	Yellow	Y	Grey	G	White	W	Special	S*
Certification	Code																																																																	
Uncertified	W																																																																	
ATEX	B																																																																	
IECEX	J																																																																	
UL	UL																																																																	
UL (ordinary locations)	UW																																																																	
UL Marine	UM																																																																	
CUTR	G																																																																	
Chinese (CQST)	Q																																																																	
Inmetro	DM																																																																	
Fpm	Code																																																																	
60 / min	06																																																																	
Guard	Code																																																																	
None	N																																																																	
Yes	Y																																																																	
Continuity	Code																																																																	
None	N																																																																	
Yes	Y*																																																																	
Option	Code																																																																	
None	N																																																																	
Blanking Plug	P																																																																	
Telephone	T*																																																																	
Finish	Code																																																																	
Natural Black	N																																																																	
Red	R																																																																	
Blue	B																																																																	
Yellow	Y																																																																	
Grey	G																																																																	
White	W																																																																	
Special	S*																																																																	
		<table border="1"> <tr><th>Voltage</th><th>Code</th></tr> <tr><td>24V d.c.</td><td>024</td></tr> <tr><td>110V a.c.</td><td>110</td></tr> <tr><td>240V a.c.</td><td>240</td></tr> </table> <p>Other voltages available, please specify.</p>	Voltage	Code	24V d.c.	024	110V a.c.	110	240V a.c.	240	<table border="1"> <tr><th>Colour</th><th>Code</th></tr> <tr><td>Red</td><td>R</td></tr> <tr><td>Blue</td><td>B</td></tr> <tr><td>Green</td><td>G</td></tr> <tr><td>Amber</td><td>A</td></tr> <tr><td>Yellow</td><td>Y</td></tr> <tr><td>Clear</td><td>C</td></tr> </table>	Colour	Code	Red	R	Blue	B	Green	G	Amber	A	Yellow	Y	Clear	C	<table border="1"> <tr><th>Fixings</th><th>Code</th></tr> <tr><td>Direct mount without backstrap</td><td>D</td></tr> <tr><td>Direct mount with backstrap</td><td>B</td></tr> </table>	Fixings	Code	Direct mount without backstrap	D	Direct mount with backstrap	B	<table border="1"> <tr><th>Label</th><th>Code</th></tr> <tr><td>None</td><td>N</td></tr> <tr><td>Yes</td><td>Y*</td></tr> </table> <p>*Please specify.</p>	Label	Code	None	N	Yes	Y*																											
Voltage	Code																																																																	
24V d.c.	024																																																																	
110V a.c.	110																																																																	
240V a.c.	240																																																																	
Colour	Code																																																																	
Red	R																																																																	
Blue	B																																																																	
Green	G																																																																	
Amber	A																																																																	
Yellow	Y																																																																	
Clear	C																																																																	
Fixings	Code																																																																	
Direct mount without backstrap	D																																																																	
Direct mount with backstrap	B																																																																	
Label	Code																																																																	
None	N																																																																	
Yes	Y*																																																																	

All specifications, dimensions, weights and tolerances are nominal (typical) and MEDC reserve the right to vary all data without prior notice. No liability is accepted for any consequence of use.



6DS097/O 11/13