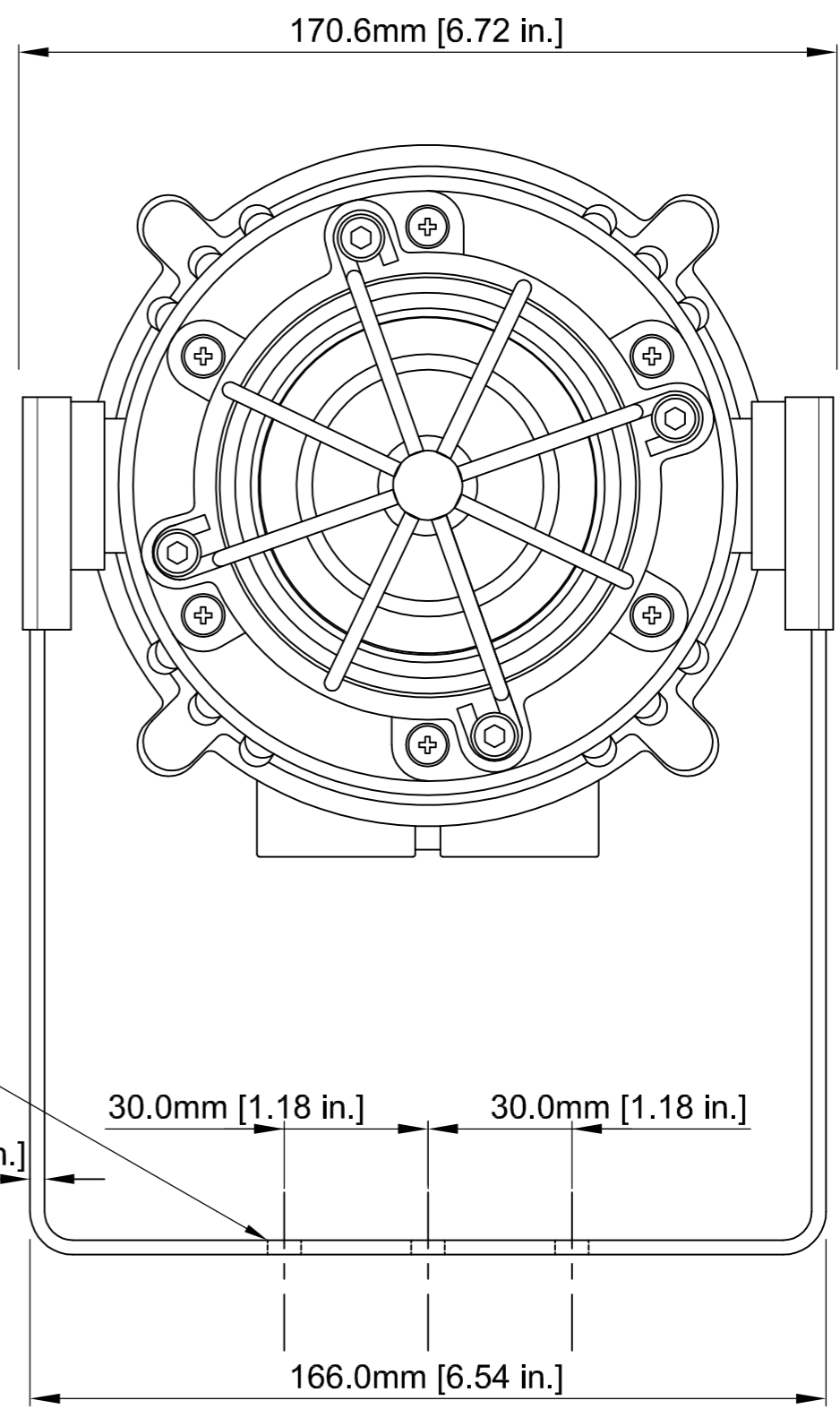
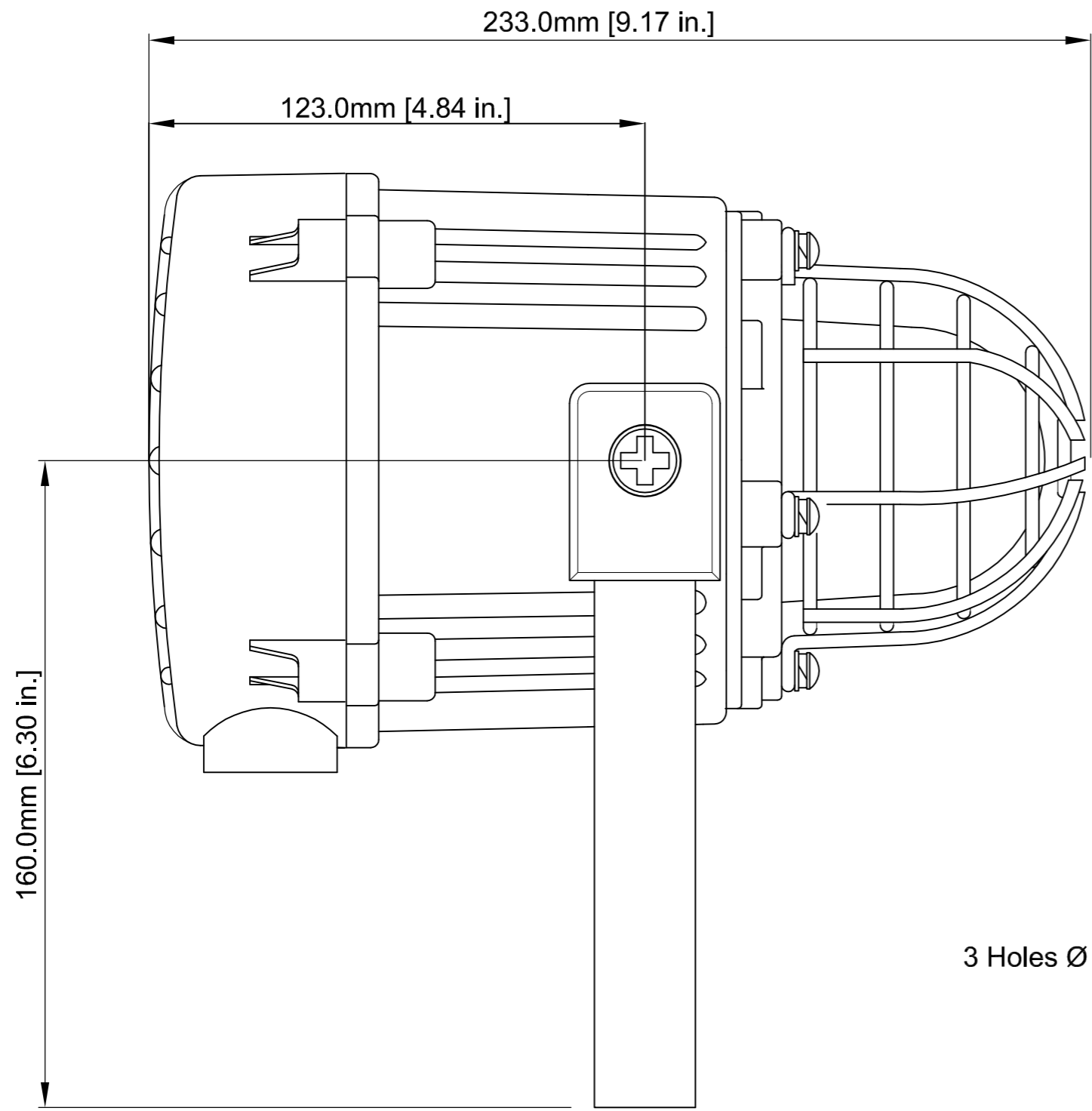


ISSUE	MOD No.	INITIAL/DATE
A		INTRODUCTION OF PART GU 21-04-09
B		UPDATED TO DUAL DIMS. RSR 25-06-13



E2S PART NO.	DESCRIPTION	DATA REFERENCE
E2xB05...	E2xB05 XENON STROBE BEACON	1.31.010
E2xB10...	E2xB10 XENON STROBE BEACON	1.31.020
MB005...	MB005 XENON STROBE BEACON	2.13.060
MB010...	MB010 XENON STROBE BEACON	2.13.070
MBL1...	MBL1 MULTI-FUNCTION LED BEACON	2.14.060

WHERE APPLICABLE '-UL' VERSIONS ARE COVERED BY THIS OUTLINE DRAWING.

DRAWING TO BS8888:2000 GEOMETRIC TOLERANCES TO ISO1101:1983 LINEAR DIMENSIONAL TOLS ANGULAR DIMENSIONAL TOLS	DRAWN G. UDOWICZENKO	DATE 21-04-09	SURFACE FINISH	WEIGHT (Kg)	THIS DRAWING AND ANY INFORMATION OR DESCRIPTIVE MATTER THEREIN IS COMMUNICATED IN CONFIDENCE AND IS THE COPYRIGHT PROPERTY OF EUROPEAN SAFETY SYSTEMS LTD. NEITHER THE WHOLE OR ANY EXTRACT MAY BE DISCLOSED, LOANED, COPIED OR USED FOR MANUFACTURING OR TENDERING PURPOSES WITHOUT THEIR WRITTEN CONSENT.	 EUROPEAN SAFETY SYSTEMS LTD. IMPRESS HOUSE MANSELL ROAD ACTON LONDON W3 7QH WWW.E2S.COM	ALL DIMENSIONS IN MM IF IN DOUBT, ASK - DO NOT SCALE	 <b>A2</b>
	CHECKED	DATE	MATERIAL	TITLE <b>E2xB05 &amp; E2xB10 Xenon Beacon MB005 &amp; MB010 Xenon Beacon</b>				
	APPROVED	DATE	ALTERNATIVE MATERIAL	SCALE <b>1:1</b>			SHEET <b>1 OF 1</b>	