

1

# L101X AlertAlight

High Powered Xenon Tube Beacon  
 5J Xenon Flash Tube  
 Three modes : Flashing 1 Hz\*,  
 Flashing 1.5Hz† (DC units Only),  
 Double Strike† (DC Units Only)  
 IP Rating: IP66  
 Temp: -25°C to +55°C  
 Unit weight: 200g  
 CE

Dimensions : 86.0 x 86.0mm  
 1.5mm<sup>2</sup> terminals  
 Cable entry: M20 cable entry ( IP66)  
 Dependant on Back Box selected

[z] = Back Box Type  
 B = L101 type      M = Multi-purpose type  
 A = A100 type      S = Sonora type

[y] = Lens colour  
 R = Red\*              A = Amber    G = Green  
 B = Blue              C = Clear\*

[x] = Housing colour  
 G = Grey    R = Red      W = White

Order code	Voltage	Current
L101XDC012[z][x][y]	10-14 VDC/AC	500mA/380mA
L101XDC024[z][x][y]*	20-28 VDC/AC	250mA/300mA
L101XDC048[z][x][y]*	42-52 VDC	175mA
L101XAC048[z][x][y]	48 VAC±10%	250mA
L101XAC115[z][x][y]	115 VAC±10%	70mA
L101XAC230[z][x][y]	230 VAC±10%	35mA

†Flashing 1.5Hz and Double Strike modes are not available on the following units: L101XDC012[b][x][y] when used with an AC supply; L101XAC048[b][x][y]; L101XAC115[b][x][y] & L101XAC230[b][x][y].

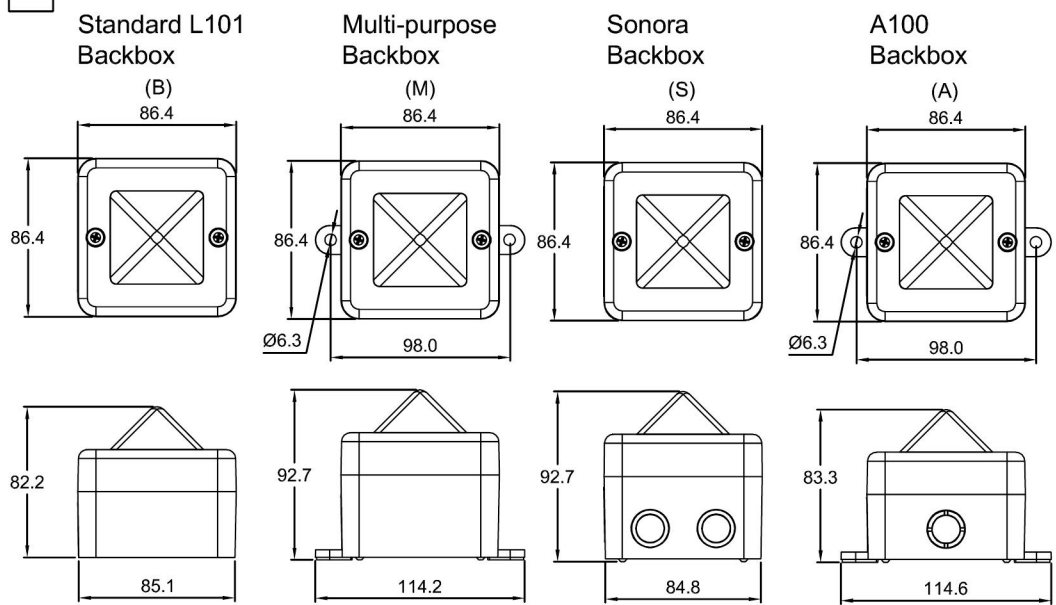
\* Denotes models with VdS/CPR Approval for EN54-23, 24/48 VDC application only.

Tel : +44 (0)2 8743 8880 Fax : +44 (0)20 8740 4200  
 mail : sales@e2s.com web : www.e2s.com



3

## Back Box Type



2

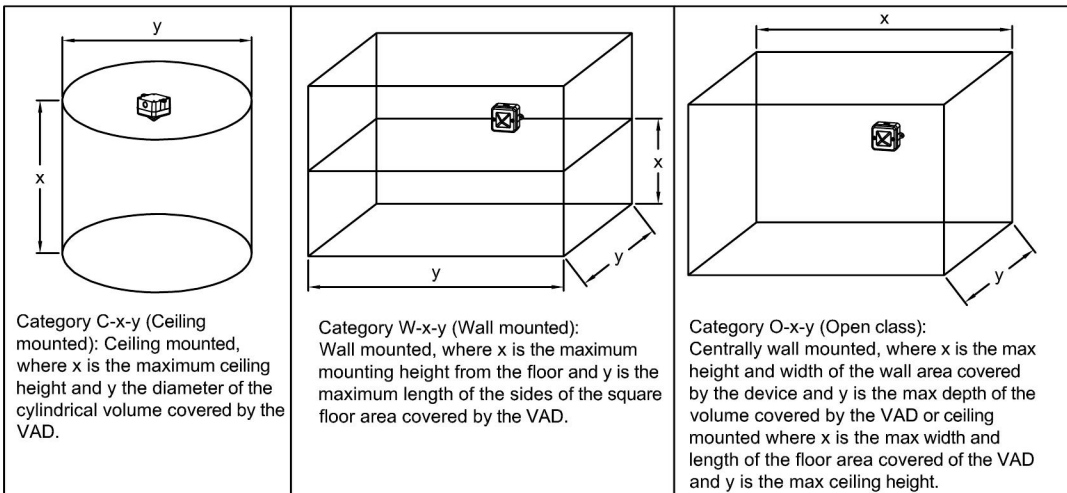
- ATTENTION:** Installation must be carried out by an electrician in compliance with the latest codes and regulations.
- ATTENTION:** Disconnect from power source before installation or service to prevent electric shock.
- ATTENTION:** On strobe beacons allow a minimum of 2 minutes for hazardous high voltage to discharge from unit.
- ATTENTION:** Lens on unit will be hot allow to cool prior to removal.



4

## Coverage Area According to EN54-23

Unit	Category C	Category W	Category O	Power
L101XDC024[z][x]C	C-9-6.8 V=326.9m <sup>3</sup>	W-2.4-4.8 V=55.3m <sup>3</sup>	O-4.8-10 V=230.4m <sup>3</sup>	6W
L101XDC024[z][x]R	C-3-2.6 V=15.9m <sup>3</sup>	N/A	O-1.9-3.6 V=13.0m <sup>3</sup>	6W
L101XDC048[z][x]C	C-9-7 V=346.4m <sup>3</sup>	W-2.5-5 V=62.5m <sup>3</sup>	O-5-10 V=250.0m <sup>3</sup>	8.4W
L101XDC048[z][x]R	C-3-3 V=21.2m <sup>3</sup>	N/A	O-2-4 V=16.0m <sup>3</sup>	8.4W



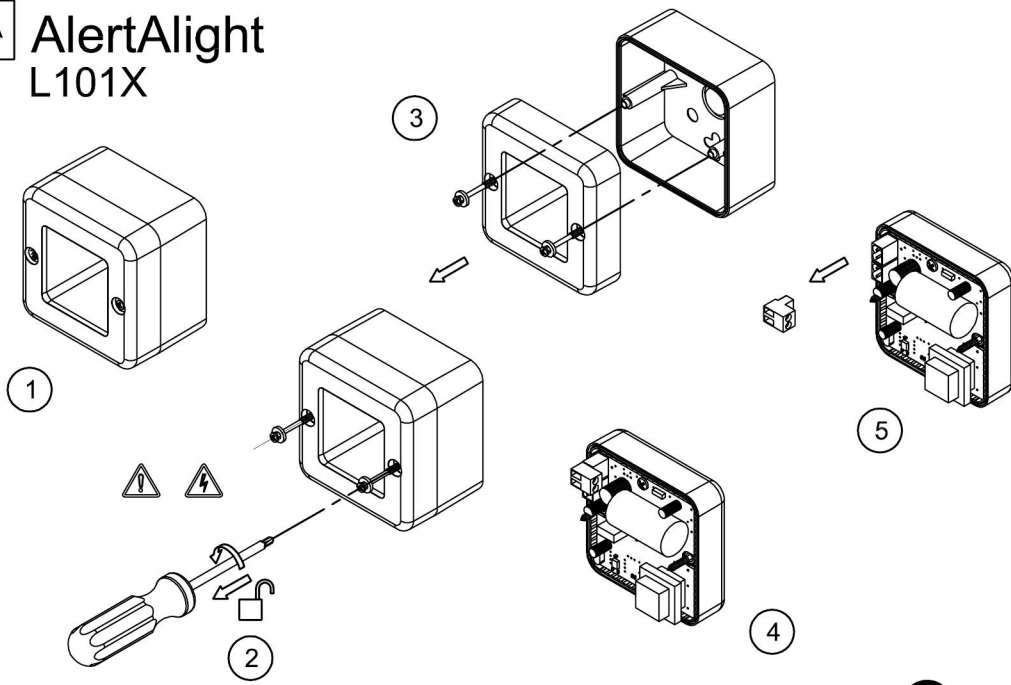
Category C-x-y (Ceiling mounted): Ceiling mounted, where x is the maximum ceiling height and y the diameter of the cylindrical volume covered by the VAD.

Category W-x-y (Wall mounted): Wall mounted, where x is the maximum mounting height from the floor and y is the maximum length of the sides of the square floor area covered by the VAD.

Category O-x-y (Open class): Centrally wall mounted, where x is the max height and width of the wall area covered by the device and y is the max depth of the volume covered by the VAD or ceiling mounted where x is the max width and length of the floor area covered of the VAD and y is the max ceiling height.



# A AlertAlight L101X



Tel : +44 (0)20 8743 8880 Fax : +44 (0)20 8740 4200  
 mail : sales@e2s.com web : www.e2s.com

