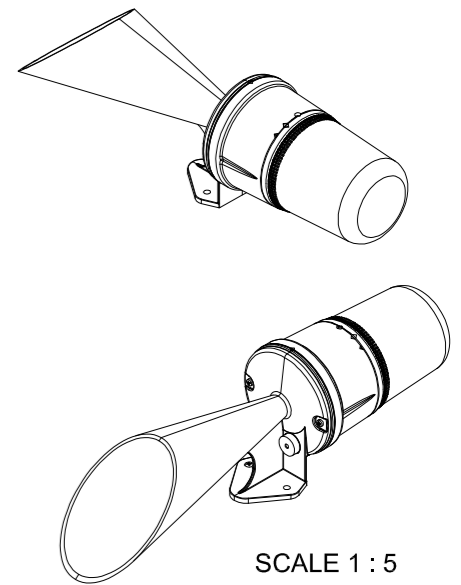
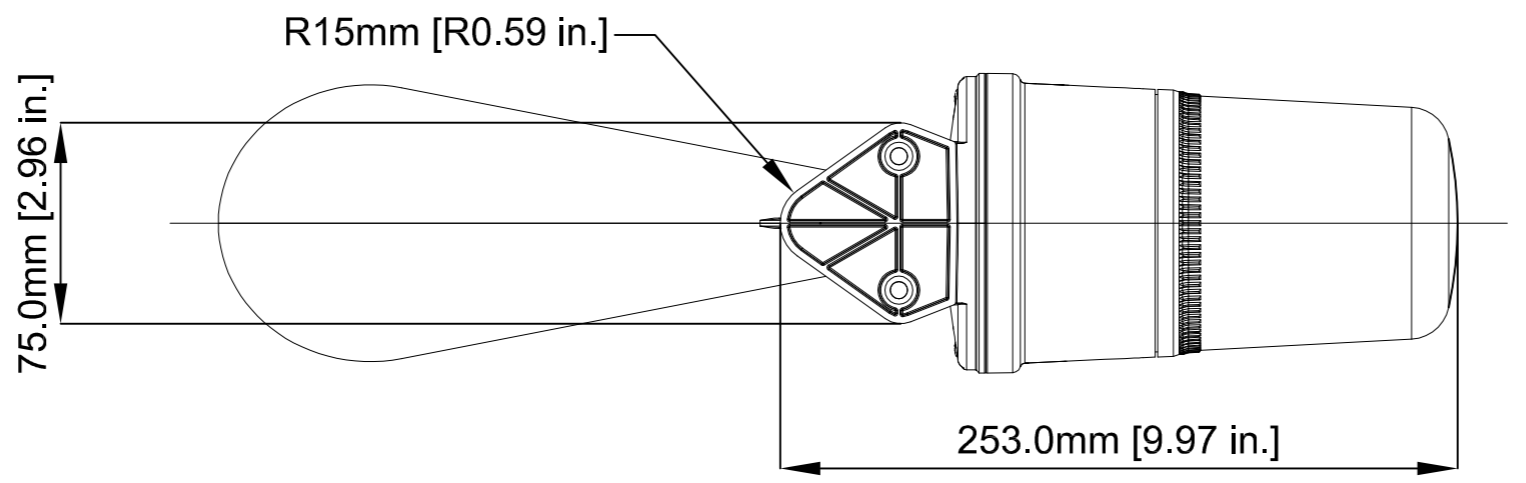
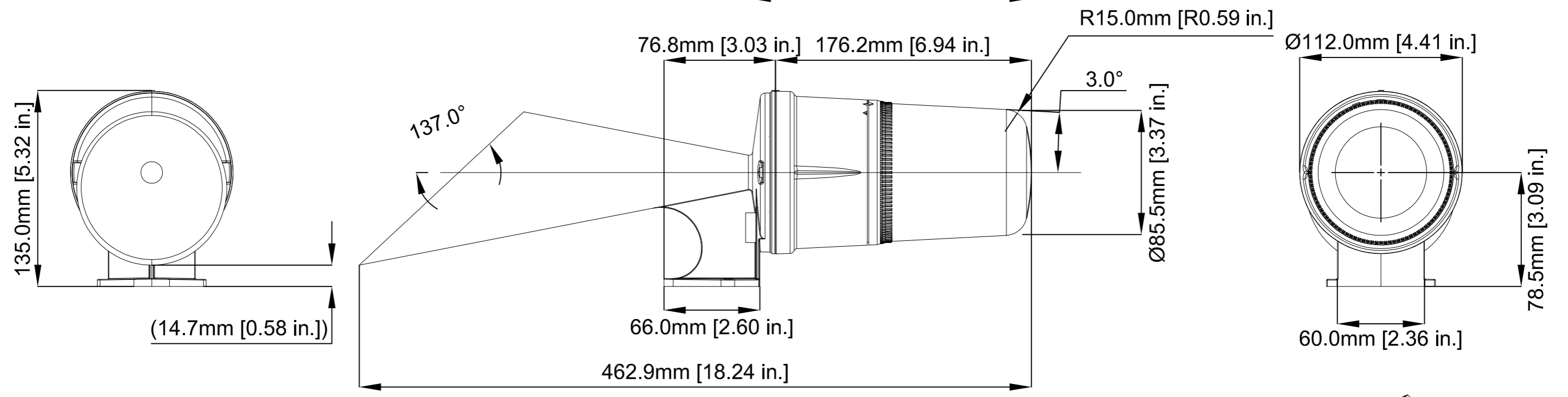
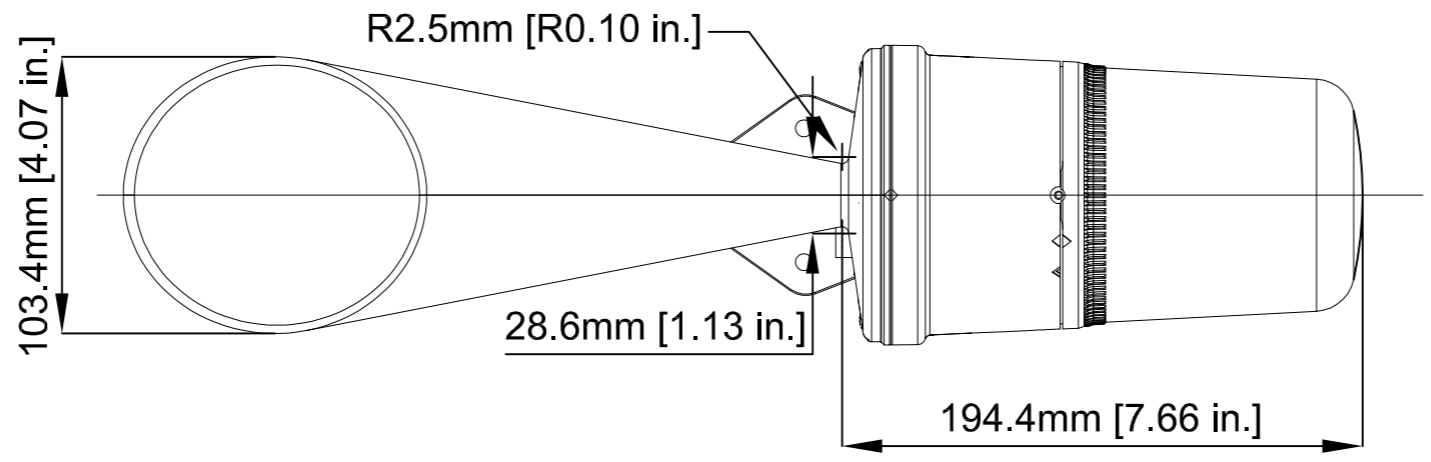


ISSUE	MOD No.	REASON - INITIAL - DATE
A		INTRODUCTION OF ASSEMBLY OUTLINE FOR CARTON DESIGN, STC 09-03-09
B		UPDATED TO DUAL DIMS. RSR 26-06-13



E2S PART NO. REFERENCE	DESCRIPTION	DATA
H110TL...	H110TL TRUMPET HORN & LED BEACON	2.31.350
H110TR...	H110TR TRUMPET HORN & ROTATING BEACON	2.31.330
H110TX...	H110TX TRUMPET HORN & XENON STROBE BEACON	2.31.340

WHERE APPLICABLE '-UL' VERSIONS ARE COVERED BY THIS OUTLINE DRAWING.

DRAWING TO BS8888:2000 GEOMETRIC TOLERANCES TO ISO1101:1983 LINEAR DIMENSIONAL TOLS ANGULAR DIMENSIONAL TOLS	DRAWN	DATE	SURFACE FINISH	WEIGHT (Kg)
	R.N.POTTS	09:03:09	FINISH	
	CHECKED	DATE	MATERIAL	
	R.N.POTTS	09:03:09		
STANDARDS	APPROVED	DATE	ALTERNATIVE MATERIAL	
SPECTRA	R.N.POTTS	09:03:09		

THIS DRAWING AND ANY INFORMATION OR DESCRIPTIVE MATTER THEREIN IS COMMUNICATED IN CONFIDENCE AND IS THE COPYRIGHT PROPERTY OF EUROPEAN SAFETY SYSTEMS LTD. NEITHER THE WHOLE OR ANY EXTRACT MAY BE DISCLOSED, LOANED, COPIED OR USED FOR MANUFACTURING OR TENDERING PURPOSES WITHOUT THEIR WRITTEN CONSENT.

© EUROPEAN SAFETY SYSTEMS LTD. AS PER LATEST DATE OF ISSUE SHOWN ABOVE



ALL DIMENSIONS IN MM IF IN DOUBT, ASK - DO NOT SCALE					A2
TITLE OUTLINE DRAWING H110TX TRUMPET HORN WITH BEACON					
SCALE	SHEET	DRAWING NUMBER			
1:2	1 OF 1	SK0064			