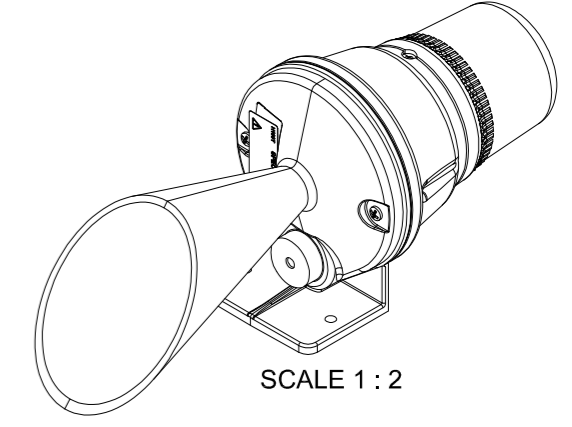
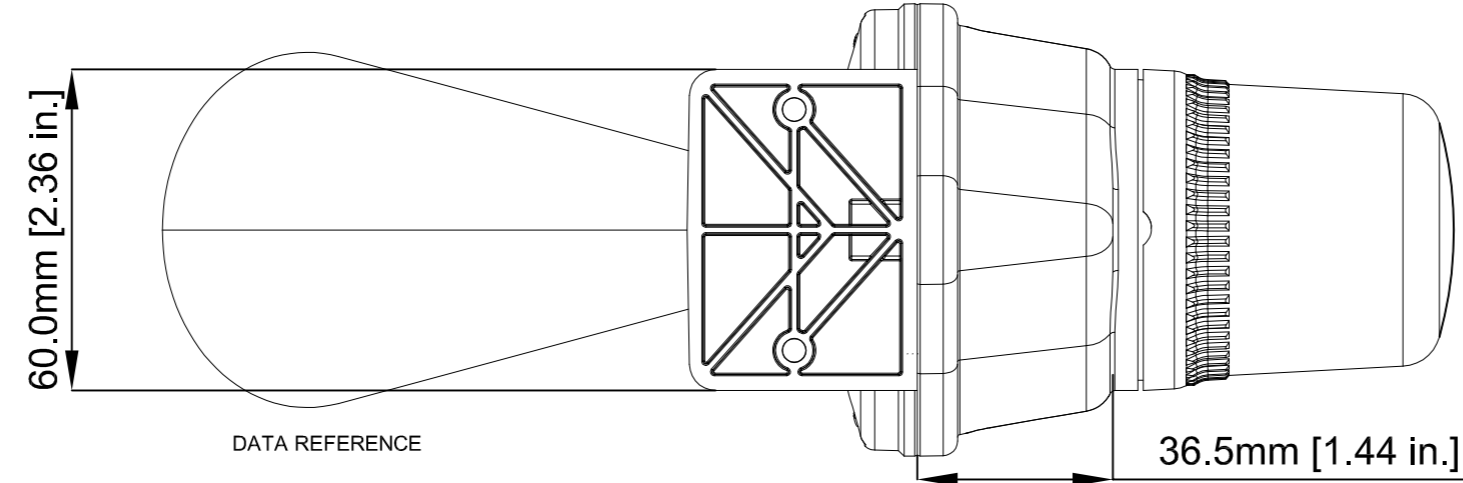
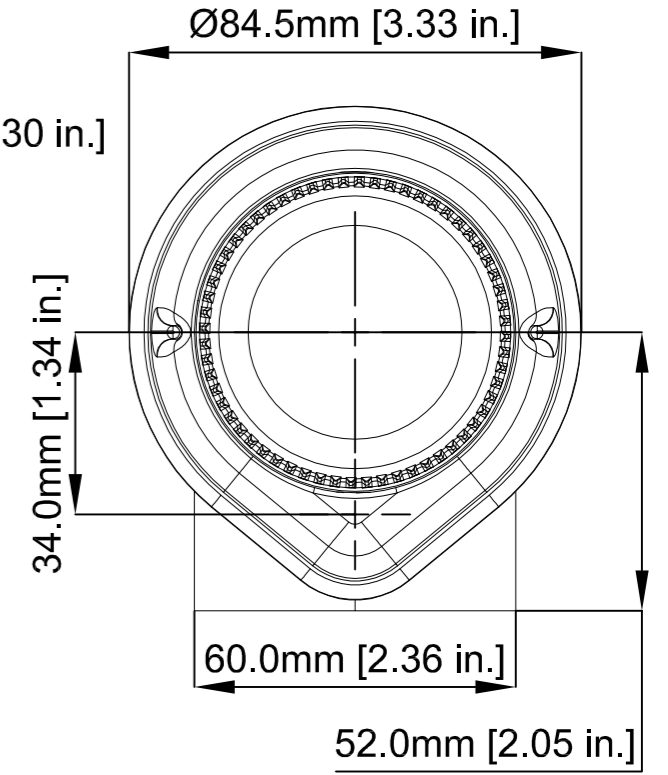
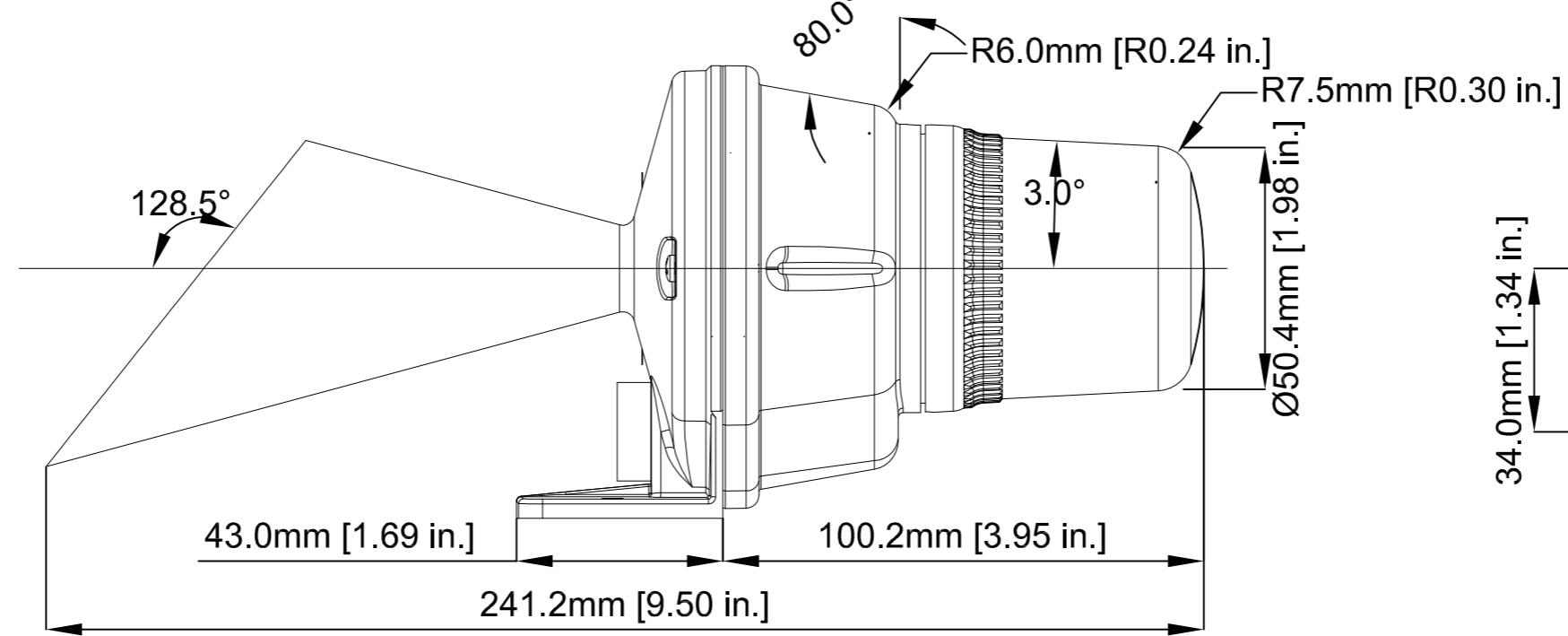
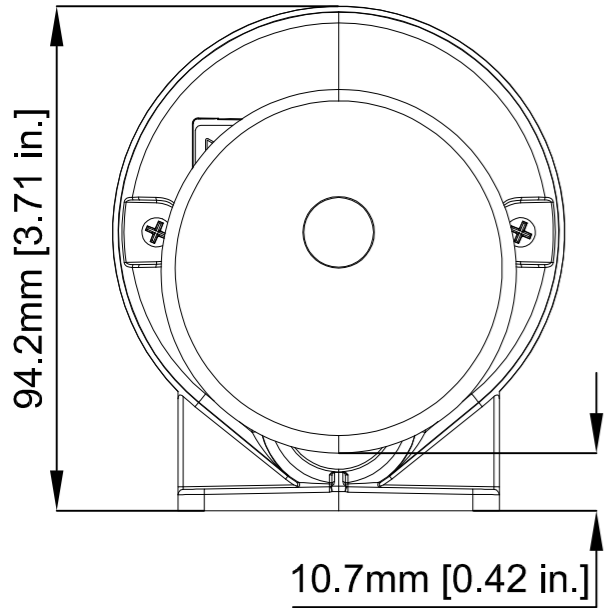
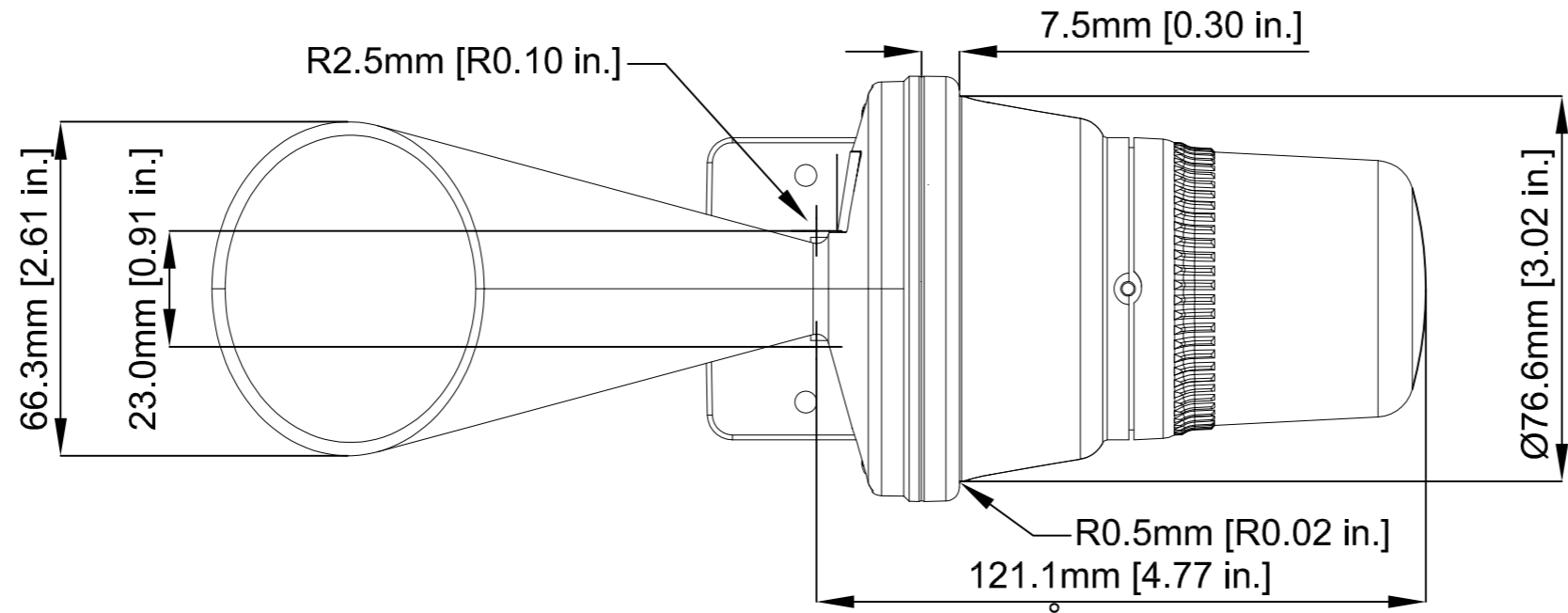


ISSUE	MOD No.	REASON - INITIAL - DATE
A		INTRODUCTION OF ASSEMBLY OUTLINE FOR CARTON DESIGN, STC 09-03-09
B		UPDATED TO DUAL DIMS. RSR 26-06-13



E2S PART NO.	DESCRIPTION	DATA REFERENCE
H100TF...	H100TF TRUMPET HORN & FILAMENT LAMP BEACON	2.31.320
H100TL...	H100TL SIGNAL HORN WITH TRUMPET & LED BEACON	2.31.310
H100TX...	H100TX TRUMPET HORN & XENON STROBE BEACON	2.31.300

WHERE APPLICABLE '-UL' VERSIONS ARE COVERED BY THIS OUTLINE DRAWING.

DRAWING TO BS8888:2000 GEOMETRIC TOLERANCES TO ISO1101:1983 LINEAR DIMENSIONAL TOLS ANGULAR DIMENSIONAL TOLS		DRAWN R.N.POTTS	DATE 09:03:09	SURFACE FINISH FINISH	WEIGHT (Kg)
STANDARDS SPECTRA		CHECKED R.N.POTTS	DATE 09:03:09	MATERIAL	
		APPROVED R.N.POTTS	DATE 09:03:09	ALTERNATIVE MATERIAL	

THIS DRAWING AND ANY INFORMATION OR DESCRIPTIVE MATTER THEREIN IS COMMUNICATED IN CONFIDENCE AND IS THE COPYRIGHT PROPERTY OF EUROPEAN SAFETY SYSTEMS LTD. NEITHER THE WHOLE OR ANY EXTRACT MAY BE DISCLOSED, LOANED, COPIED OR USED FOR MANUFACTURING OR TENDERING PURPOSES WITHOUT THEIR WRITTEN CONSENT.

© EUROPEAN SAFETY SYSTEMS LTD. AS PER LATEST DATE OF ISSUE SHOWN ABOVE

**e2s**  
warning signals  
EUROPEAN SAFETY SYSTEMS LTD  
IMPRESS HOUSE  
MANSELL ROAD  
ACTON  
LONDON W3 7QH  
WWW.E2S.COM

ALL DIMENSIONS IN MM IF IN DOUBT, ASK - DO NOT SCALE					A2
TITLE OUTLINE DRAWING H100TX TRUMPET HORN WITH BEACON					
SCALE 1:1	SHEET 1 OF 1	DRAWING NUMBER SK0060			