

A

SPECTRA

Trumpet Horn Xenon Strobe
 IP Rating: IP65
 Temp: -25 °C to +50 °C
 Unit weight: 219g
 CE

Order code Voltage
 H100TX024G/x 24V AC/DC
 • 24V dc 10mA
 • 24V ac 50Hz 24mA
 • Beacon Current Consumption
 • 24V dc 135mA
 • 24V ac 50Hz 75mA

H100TX115G/x 115V AC
 • 115V ac 50/60Hz 19mA
 • Beacon Current Consumption
 • 115V ac 50/60Hz 30mA

H100TX230G/x 230V AC
 • 230V ac 50/60Hz 10mA
 • Beacon Current Consumption
 • 230V ac 50/60Hz 20mA

H100 TX

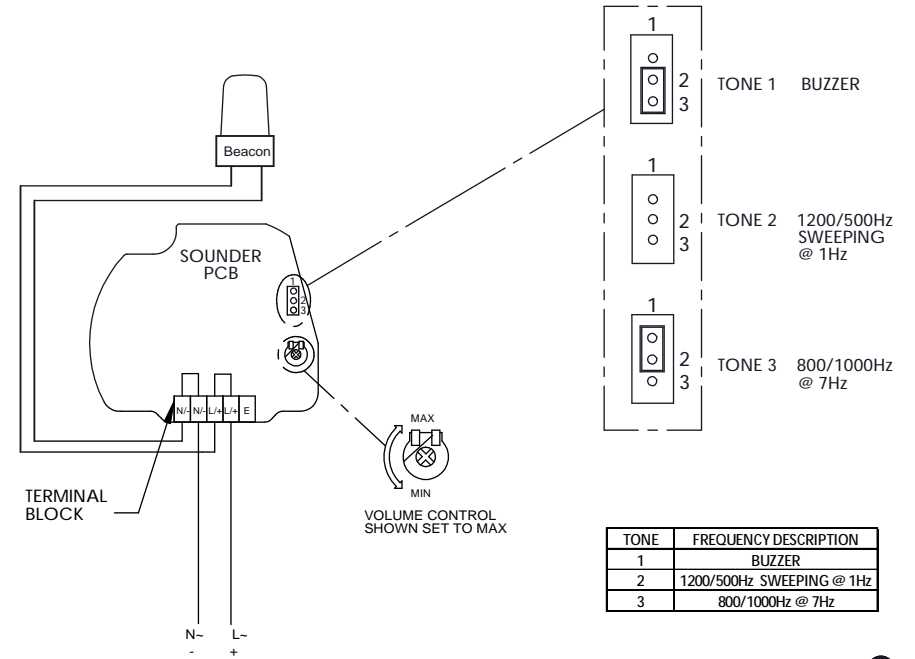
Dimensions : Ø85 x 241.2mm
 1.5mm² terminals
 Cable entry: 1 x 5-7mm push
 through grommet

x = Lens colour
 R = Red A = Amber
 B = Blue C = Clear
 G = Green Y = Yellow

Tel : +44 (0)2 8743 8880 Fax : +44 (0)20 8740 4200
 mail : sales@e2s.com web : www.e2s.com



D



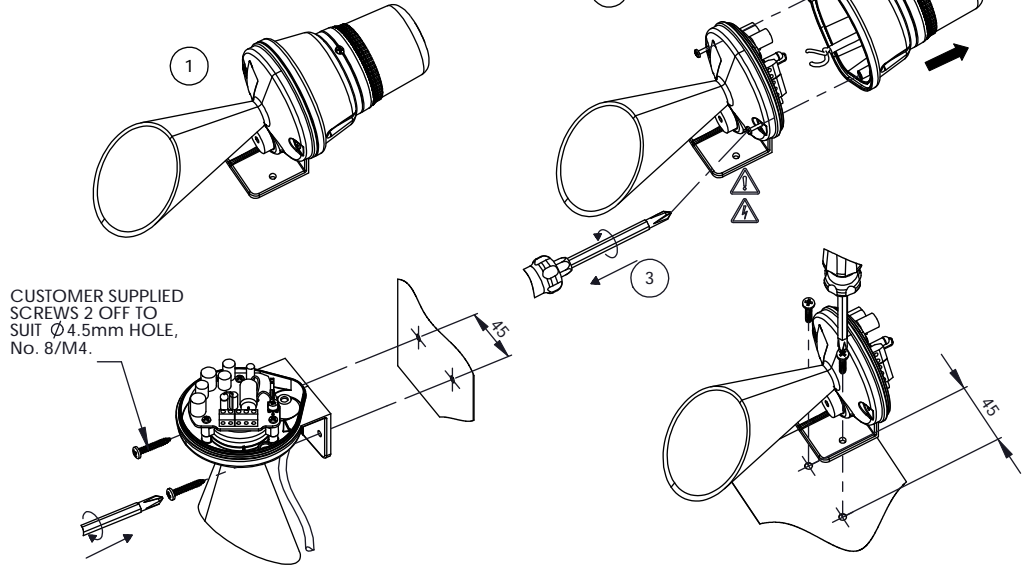
B

- ⚠ ATTENTION:** Installation must be carried out by an electrician in compliance with the latest codes and regulations.
- ⚠ ATTENTION:** Disconnect from power source before installation or service to prevent electric shock.
- ⚠ ATTENTION:** On strobe beacons allow a minimum of 2 minutes for hazardous high voltage to discharge from unit.
- ⚠ ATTENTION:** Lens on unit will be hot allow to cool prior to removal.

C



A SPECTRA H 100 TX

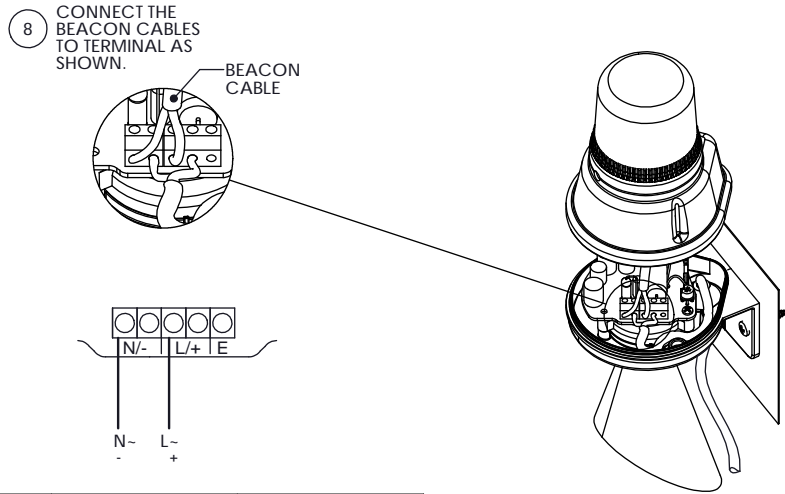


CUSTOMER SUPPLIED SCREWS 2 OFF TO SUIT Ø4.5mm HOLE, No. 8/M4.

Tel: +44 (0)2 8743 8880 Fax: +44 (0)20 8740 4200
 mail: sales@e2s.com web: www.e2s.com



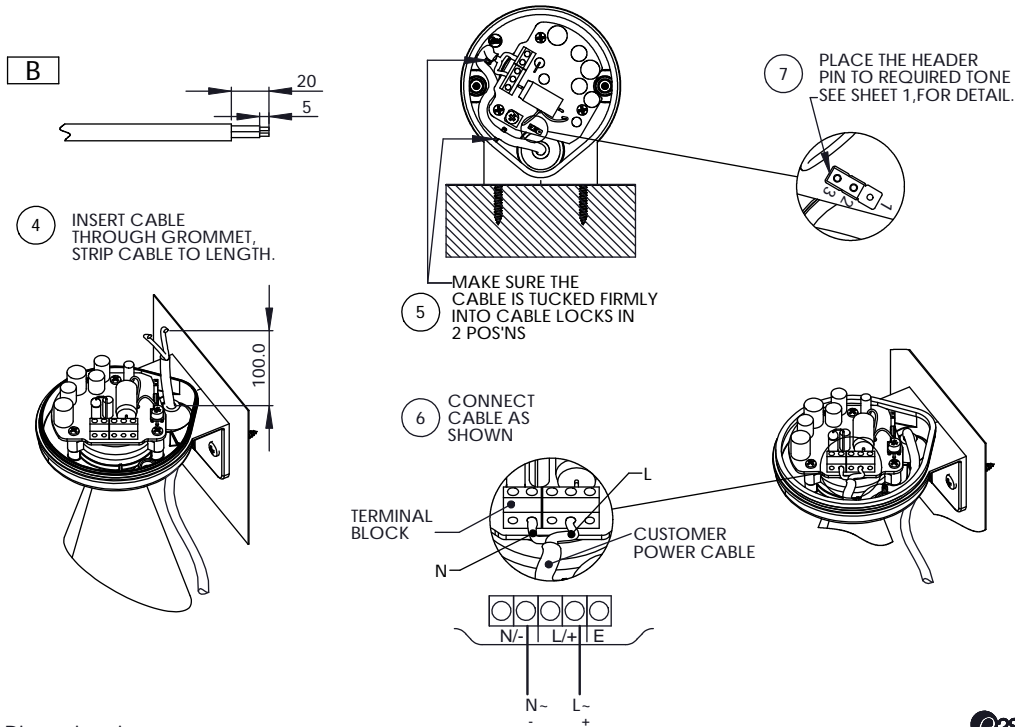
C



TERMINAL BLOCK	A/C INPUT	D/C INPUT
N/-	N-	-
N/-	N-(FROM BEACON)	-(FROM BEACON)
L/+	L-	+
L/+	L-(FROM BEACON)	+(FROM BEACON)
E		



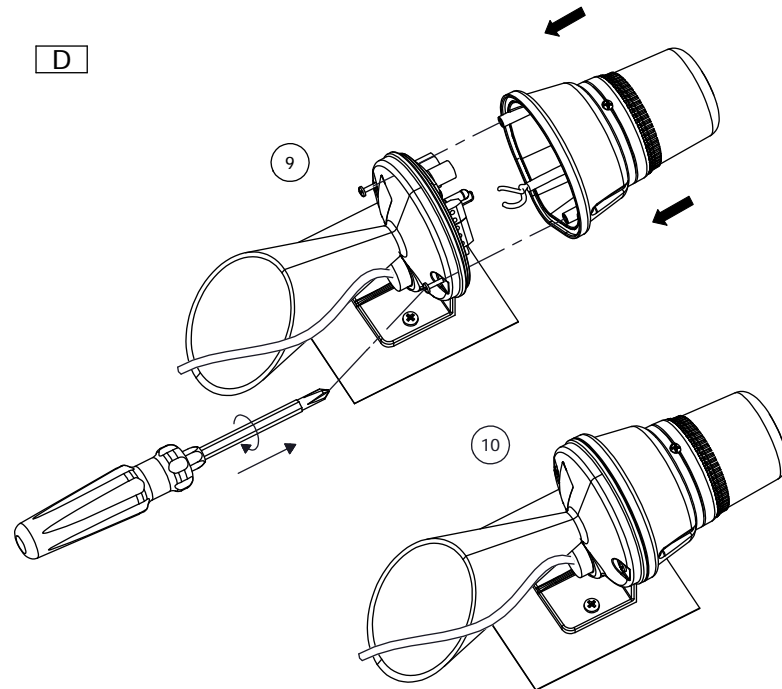
B



Dimensions in mm



D



D152-00-101-05_S472_ISSUE_A

