

A

SPECTRA

Trumpet Horn LED Array
 IP Rating: IP65
 Temp: -25°C to +50°C
 Unit weight: 215g
 CE

Order code Voltage
 H100TL030G/x 12-30V DC
 • 12V dc 10mA
 • 24V dc 24mA

• Beacon Current Consumption
 • 12V dc 74mA
 • 24V dc 80mA

H100TL230G/x 90-260V AC
 • 115V ac 50/60Hz 19mA
 • 230V ac 50/60Hz 10mA

• Beacon Current Consumption
 • 115V ac 50/60Hz 119mA
 • 230V ac 50/60Hz 32mA

H100 TL

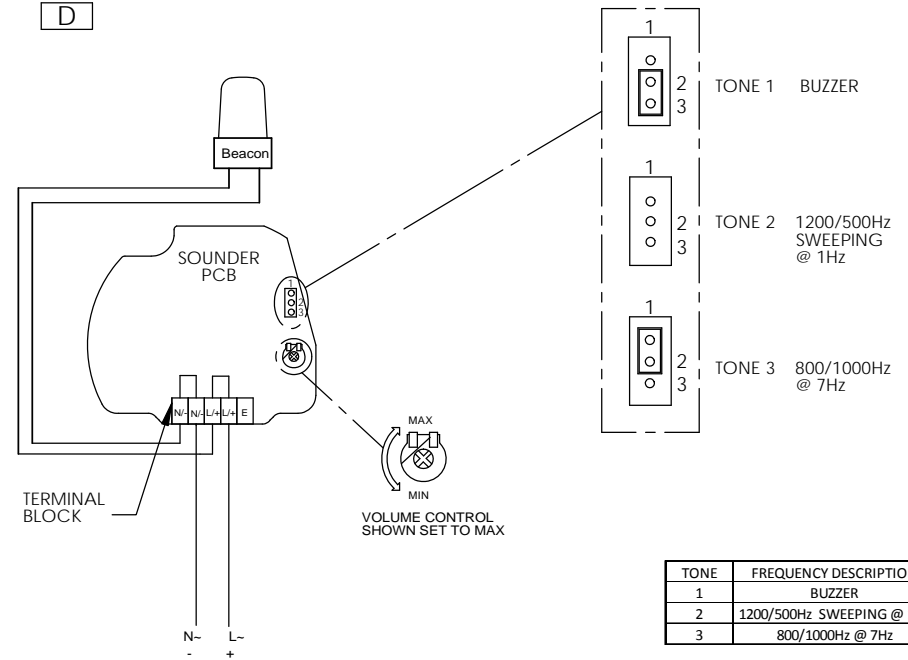
Dimensions : $\varnothing 85 \times 241.2\text{mm}$
 1.5mm² terminals
 Cable entry: 1 x 5-7mm push
 through grommet

x = Lens colour
 R = Red
 A = Amber
 B = Blue
 G = Green
 Y = Yellow

Tel : +44 (0)2 8743 8880 Fax : +44 (0)20 8740 4200
 mail : sales@e2s.com web : www.e2s.com



D



TONE	FREQUENCY DESCRIPTION
1	BUZZER
2	1200/500Hz SWEEPING @ 1Hz
3	800/1000Hz @ 7Hz



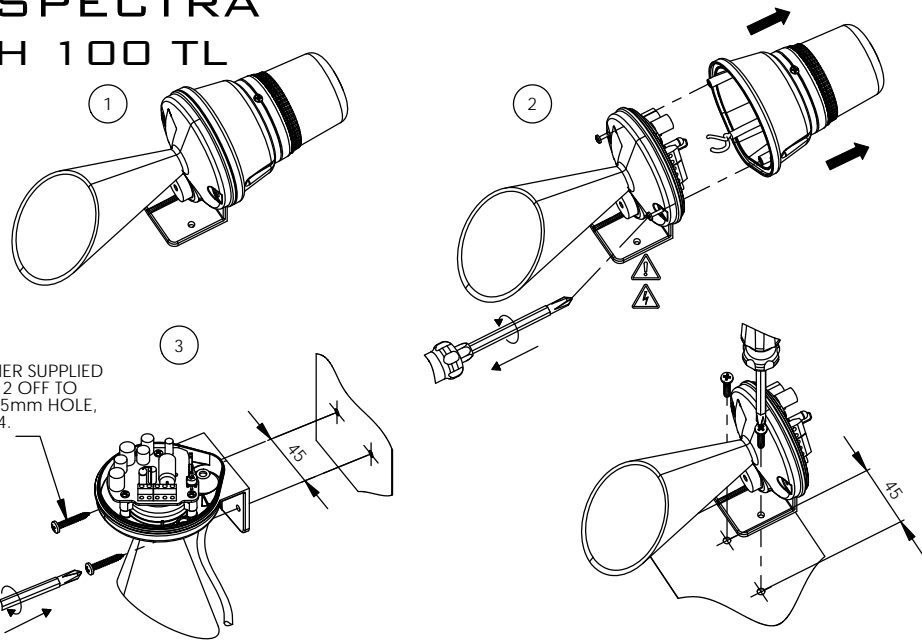
B

- ⚠ ATTENTION:** Installation must be carried out by an electrician in compliance with the latest codes and regulations.
- ⚠ ATTENTION:** Disconnect from power source before installation or service to prevent electric shock.
- ⚠ ATTENTION:** On strobe beacons allow a minimum of 2 minutes for hazardous high voltage to discharge from unit.
- ⚠ ATTENTION:** Lens on unit will be hot allow to cool prior to removal.

C



A SPECTRA H 100 TL



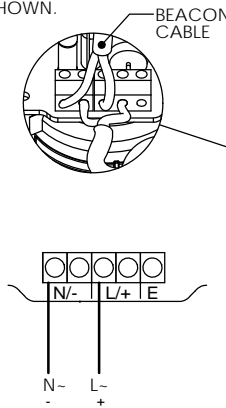
CUSTOMER SUPPLIED
SCREWS 2 OFF TO
SUIT Ø4.5mm HOLE,
No. 8/M4.

Tel: +44 (0)2 8743 8880 Fax: +44 (0)20 8740 4200
mail: sales@e2s.com web: www.e2s.com



C

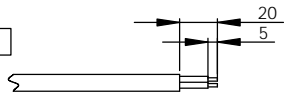
8 CONNECT THE
BEACON CABLES
TO TERMINAL AS
SHOWN.



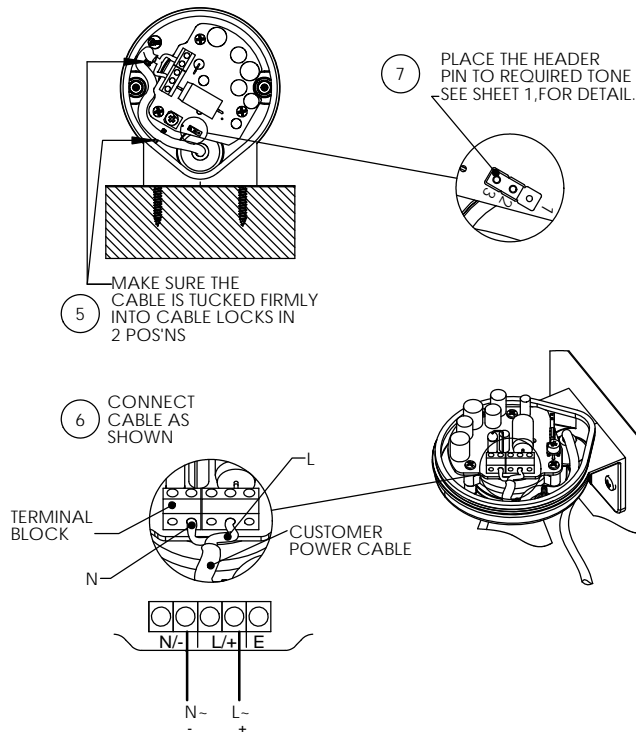
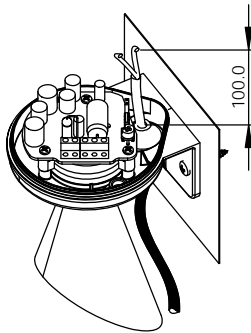
TERMINAL BLOCK	A/C INPUT	D/C INPUT
N/-	N-	-
N/-	N-(FROM BEACON)	-(FROM BEACON)
L/+	L-	+
L/+	L-(FROM BEACON)	+(FROM BEACON)
E		



B



4 INSERT CABLE
THROUGH GROMMET,
STRIP CABLE TO LENGTH.



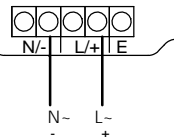
7 PLACE THE HEADER
PIN TO REQUIRED TONE
SEE SHEET 1, FOR DETAIL.

5 MAKE SURE THE
CABLE IS TUCKED FIRMLY
INTO CABLE LOCKS IN
2 POS'NS

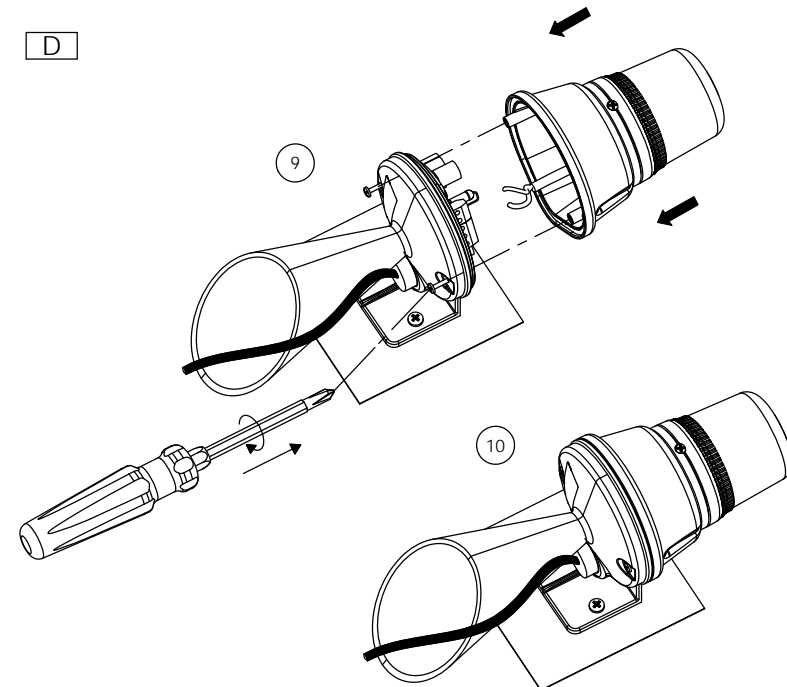
6 CONNECT
CABLE AS
SHOWN

TERMINAL
BLOCK

CUSTOMER
POWER CABLE



D



Dimensions in mm

D152-00-201-05_SHT2_ISSUE_1

