

A

SPECTRA

Trumpet Horn Flashing Filament
 5W @ 1Hz BA9s Filament Bulb.
 IP Rating: IP65
 Temp: -25°C to +50°C
 Unit weight: 219g
 CE

Order code Voltage

H100TF024G/x 24V DC
 Unit current consumption

- Sounder 10mA
- Beacon 250mA

H100TF115G/x, 50/60Hz 115V AC
 Unit current consumption

- Sounder 19mA
- Beacon 35mA

H100TF230G/x, 50/60Hz 230V AC
 Unit current consumption

- Sounder 10mA
- Beacon 25mA

H100 TF

Dimensions : $\varnothing 85 \times 241.2\text{mm}$
 1.5mm² terminals
 Cable entry: 1 x 5-7mm push
 through grommet

x = Lens colour
 R = Red A = Amber
 B = Blue C = Clear
 G = Green Y = Yellow

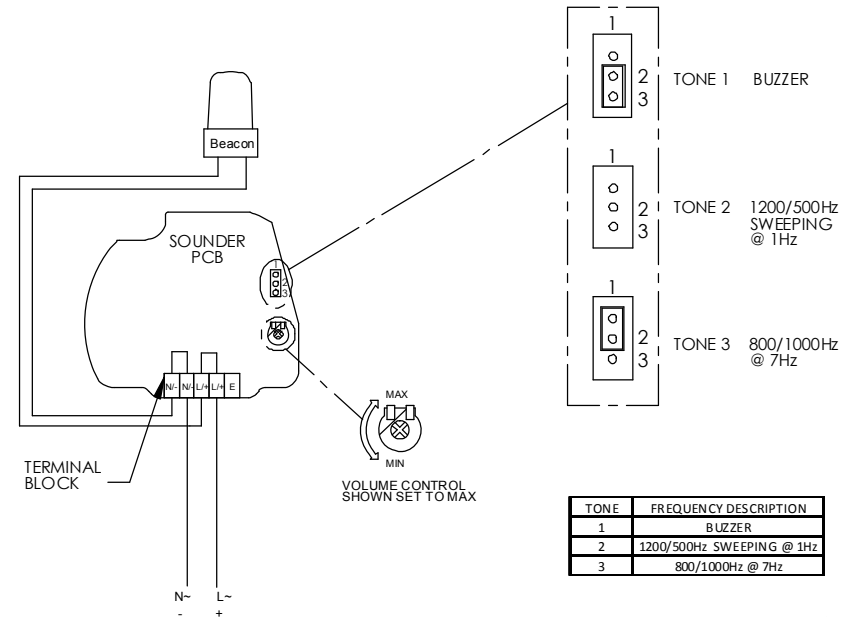
Bulb Type BA9s

E2S Part No. Version
 BR10245B 24V 5W
 BR101305B 115V 5W
 BR102305B 230V 5W

Tel : +44 (0)2 8743 8880 Fax : +44 (0)20 8740 4200
 mail : sales@e2s.com web : www.e2s.com



D



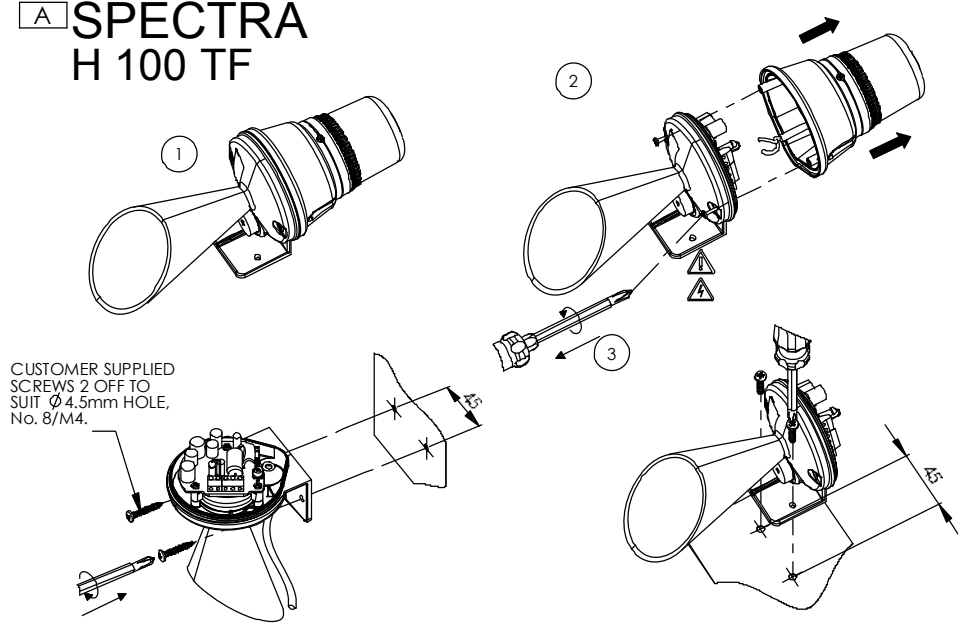
B

- ATTENTION:** Installation must be carried out by an electrician in compliance with the latest codes and regulations.
- ATTENTION:** Disconnect from power source before installation or service to prevent electric shock.
- ATTENTION:** Lens on unit will be hot allow to cool prior to removal.

C

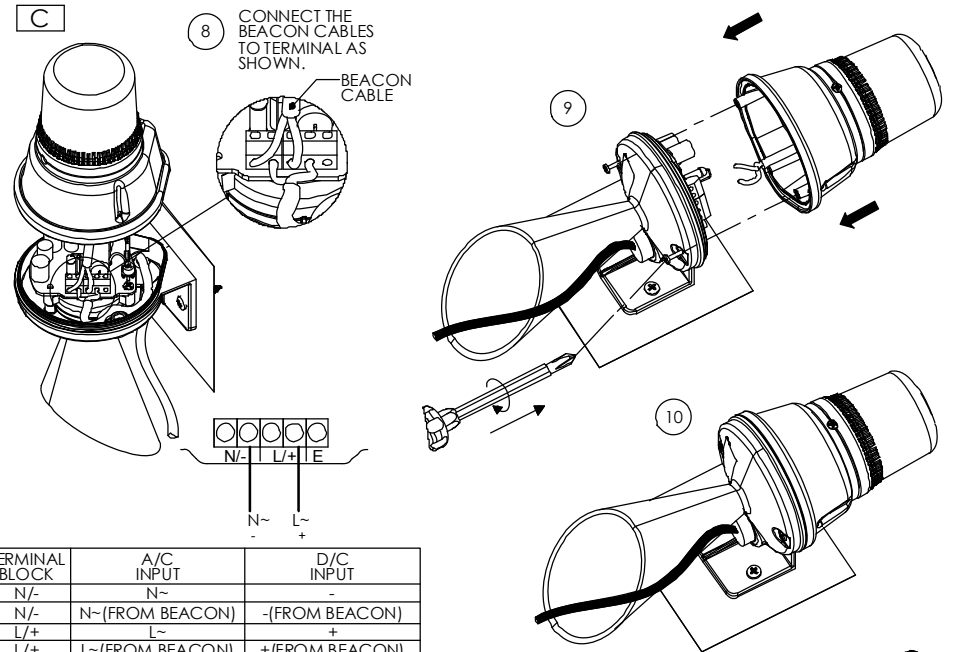


A SPECTRA H 100 TF

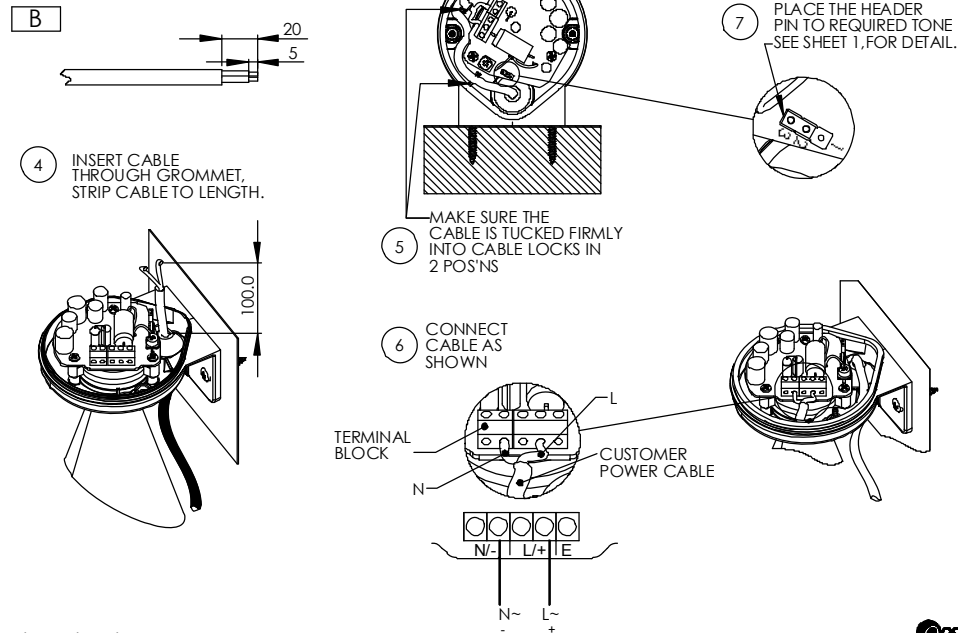


CUSTOMER SUPPLIED SCREWS 2 OFF TO SUIT Ø 4.5mm HOLE, No. 8/M4.

Tel: +44 (0)2 8743 8880 Fax: +44 (0)20 8740 4200
 mail: sales@e2s.com web: www.e2s.com



TERMINAL BLOCK	A/C INPUT	D/C INPUT
N/-	N~	-
N/-	N~(FROM BEACON)	-(FROM BEACON)
L/+	L~	+
L/+	L~(FROM BEACON)	+(FROM BEACON)
E		



4 INSERT CABLE THROUGH GROMMET, STRIP CABLE TO LENGTH.

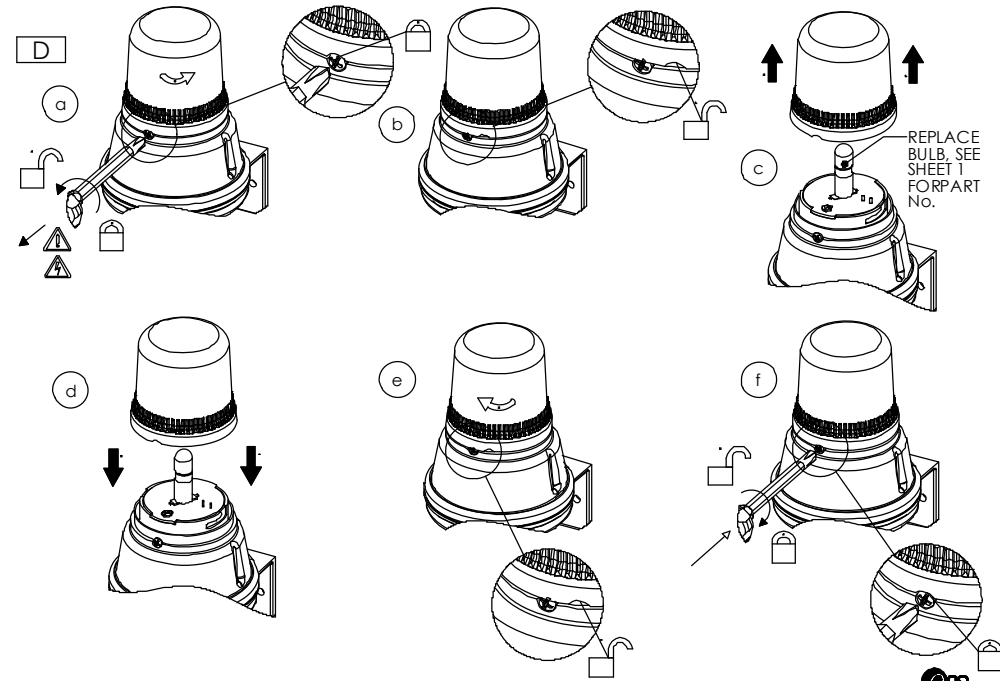
5 MAKE SURE THE CABLE IS TUCKED FIRMLY INTO CABLE LOCKS IN 2 POS'NS

6 CONNECT CABLE AS SHOWN

7 PLACE THE HEADER PIN TO REQUIRED TONE SEE SHEET 1, FOR DETAIL.

TERMINAL BLOCK CUSTOMER POWER CABLE

Dimensions in mm



REPLACE BULB, SEE SHEET 1 FOR PART No.

D1 52-00-301-6_SHZ_1551E_A

