

A

SPECTRA

Buzzer Horn
 IP Rating: IP65
 Temp: -25 °C to +50 °C
 Unit weight: 118g
 CE

Order code Voltage
 H100B030G 12-30V AC/DC
 • 12V dc 10mA
 • 24V dc 24mA
 • 12V ac 50/60Hz 30mA
 • 24V ac 50Hz 62mA

H100B230G 40-260V AC/DC
 • 48V dc 15mA
 • 48V ac 50/60Hz 25mA
 • 115V dc 6mA
 • 230V dc 3mA
 • 115V ac 50/60Hz 19mA
 • 230V ac 50/60Hz 10mA

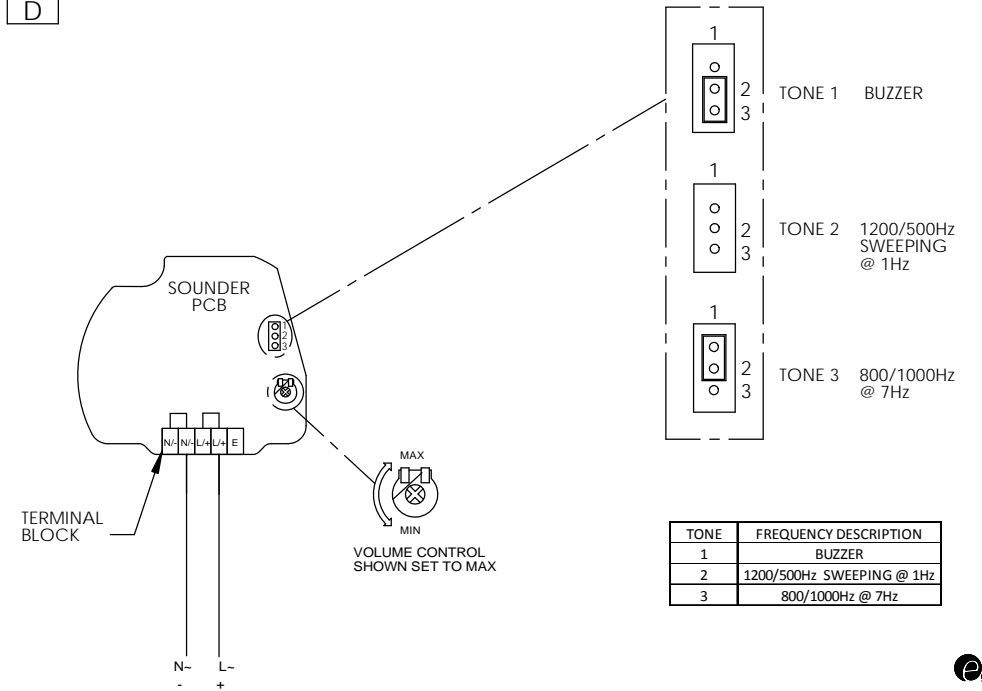
H100 B

Dimensions : 79.5 x 94.2mm
 1.5mm² terminals
 Cable entry: 1 x 5-7mm push
 through grommet

Tel : +44 (0)2 8743 8880 Fax : +44 (0)20 8740 4200
 mail : sales@e2s.com web : www.e2s.com



D



B

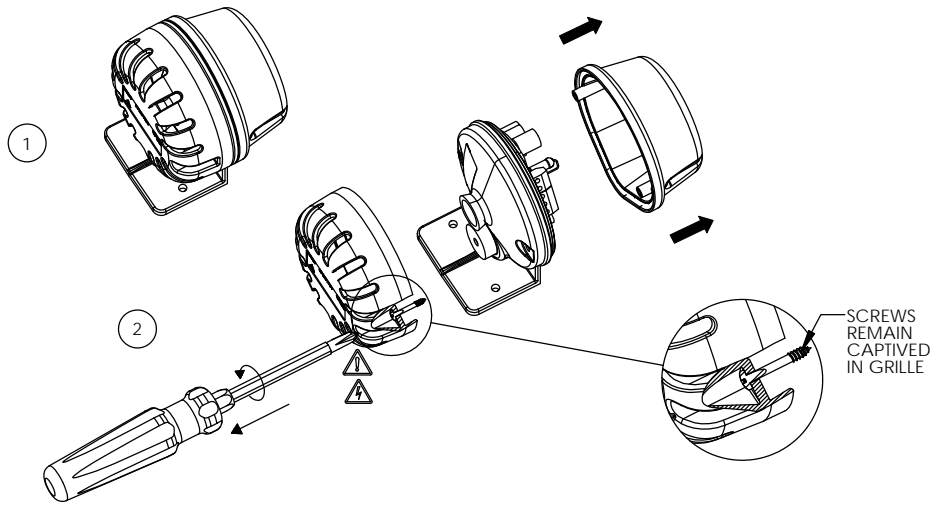
⚠ ATTENTION: Installation must be carried out by an electrician in compliance with the latest codes and regulations.

⚠ ATTENTION: Disconnect from power source before installation or service to prevent electric shock.

C



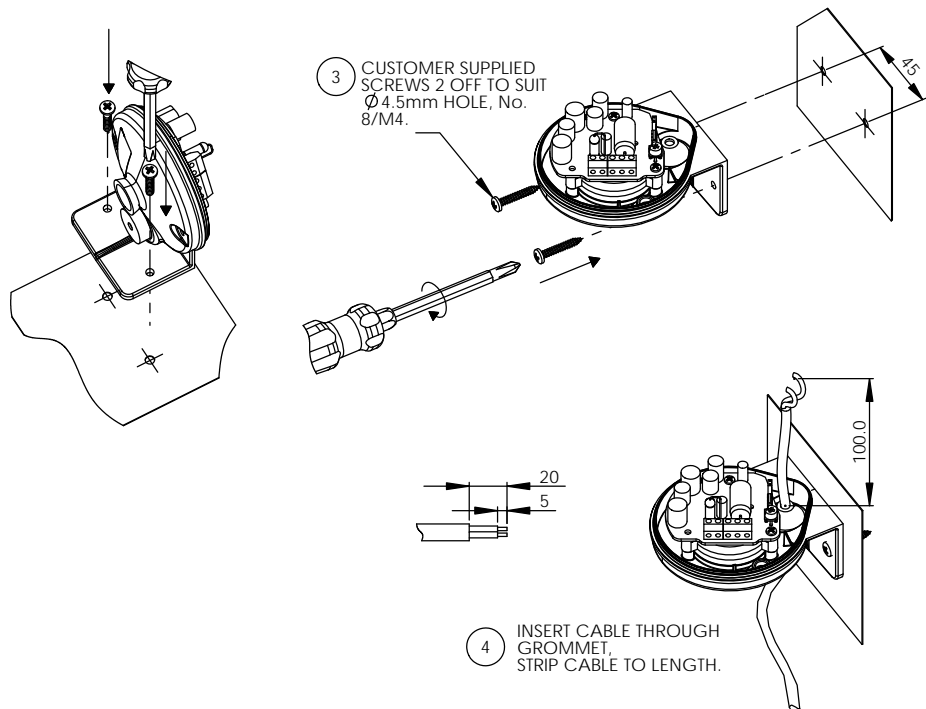
A SPECTRA H 100 B



Tel: +44 (0)2 8743 8880 Fax: +44 (0)20 8740 4200
mail: sales@e2s.com web: www.e2s.com



B

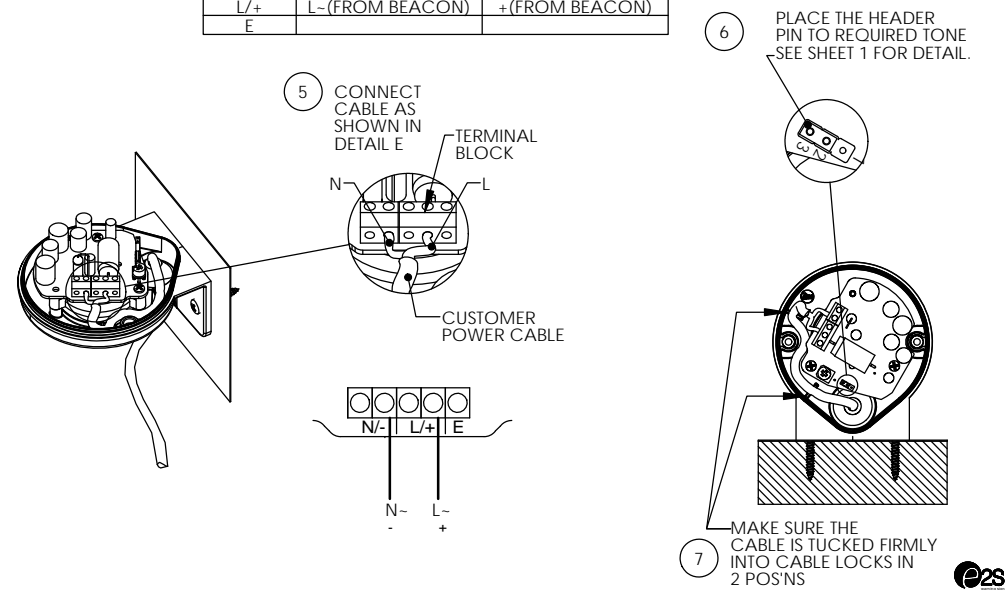


Dimensions in mm

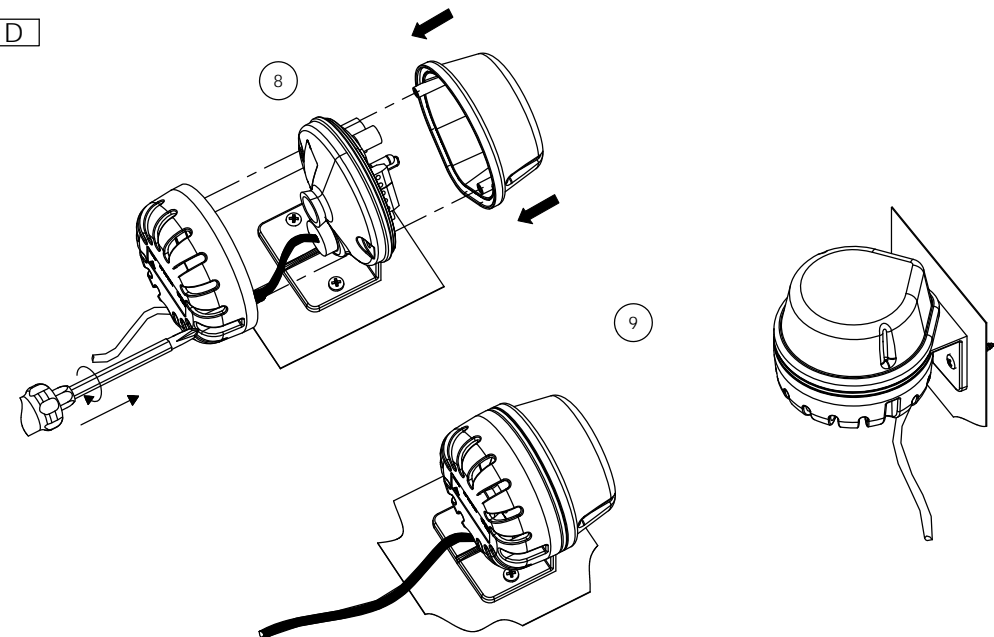


C

TERMINAL BLOCK	A/C INPUT	D/C INPUT
N/-	N-	-
N/-	N-(FROM BEACON)	-(FROM BEACON)
L/+	L-	+
L/+	L-(FROM BEACON)	+(FROM BEACON)
E		



D



D152.00.501-6_SHT2_ISSUE_1

