

Ex d(e), Weatherproof



Introduction

These certified steady beacons have been designed for use in flammable atmospheres and harsh environmental conditions. The marine grade alloy or stainless steel enclosures are suitable for use offshore or onshore, where lightweight combined with corrosion resistance and strength is required.

Units can be painted to customer specification and fitted with identification labels.

Available with optional Exe terminal chamber.

Stainless steel, one of the most durable materials available on the market, is both hard wearing and corrosion resistant, increasing the life of products in harsh environments and therefore reducing maintenance costs.

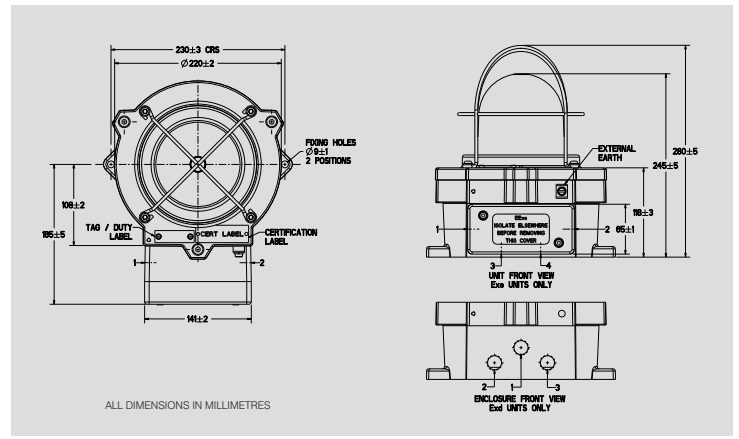
Features

- Zone 1 and Zone 2 use.
- Ex de IIC T3/T4/T5/T6.
- ATEX approved Ex II 2GD.
- BASEEFA certified.
- UL listed for USA and Canada:
 - Hazardous locations:
 - Class I, Div. 1, Groups C & D.
 - Class I, Zone 1, AExd IIB T4/T5.
 - Ordinary locations: Visual-Signal Device.
- IECEx certified Gb, Db.
- CUTR certified.
- Brazilian (Inmetro) certified.
- Certified temperature: -55°C to $+70^{\circ}\text{C}$.
- IP66 and IP67.
- Fluorescent.
- Filament Lamps supplied.
- Corrosion Resistant.
- Exde version has gland earth continuity in the GRP terminal chamber.
- Optional lens guard.
- Tapered spigot flamepath.
- Retained cover screws.



Certification and Specification

Models:	FL4 – up to 3 x 13 watt PL compact fluorescent lamps. FB4 – up to 100 watt GLS filament lamps. E27 holder as standard.
FL4 ATEX Ex d:	Cert. no. Baseefa 04ATEX0224X. Certified to: EN60079-0, EN60079-1, EN60079-31. Ex II 2GD, Ex d IIC T4/T5/T6 Gb, Ex tb IIIC T85°C/T100°C/T135°C Db.
FL4 ATEX Ex de:	Ex II 2G EEx de IIC.
FL4 IECEx Ex d:	Cert. no. IECEx BAS 10.0078X. Certified to: IEC60079-0, IEC60079-1, IEC60079-31. Ex d IIC T4/T5/T6 Gb. Ex tb IIIC T85°C/T100°C/T135°C Db.
FB4 ATEX Ex d:	Cert. no. Baseefa 04ATEX0224X. Certified to: EN60079-0, EN60079-1, EN60079-31. Ex d IIC T3/T4/T5 Gb, Ex tb IIIC T85°C/T100°C/T185°C Db.
FB4 ATEX Ex de:	Ex II 2G EEx de IIC.
FB4 IECEx Ex d:	Cert. no. IECEx BAS 10.0078X. Certified to: IEC60079-0, IEC60079-1, IEC60079-31. Ex II 2GD, Ex d IIC T3/T4/T5 Gb. Ex tb IIIC T85°C/T100°C/T185°C Db.
UL Haz Locs:	Listing no. E187894. Class I, Div 1, Groups C & D. Class I, Zone 1, AExd IIB T4/T5.
UL Ord Locs:	Listing no. S8128. Visual Signal Device. (FL4 only).
FL4 CUTR Ex d:	1Ex d IIC T4/T5/T6 Gb. Ex tb IIIC T85°C/T100°C/T135°C Db.
FB4 CUTR Ex d:	1Ex d IIC T3/T4/T5 Gb, Ex tb IIIC T85°C/T100°C/T185°C Db.
Inmetro Ex d:	Ex d IIC T3/T4/T5/T6 Gb.
Inmetro Ex de:	Ex de IIC T3/T4/T5/T6 Gb.
Material:	LM25TF Marine Grade Alloy body. Grade 316 ANC4B Stainless Steel body. Glass reinforced polyester (GRP) terminal chamber). Toughened Wellglass.
Finish:	Grey epoxy paint finish as standard or to customer's specification.
Voltage:	24V 48V 110V d.c., 110V 120V 220V 240V 254Va.c. ± 10% 50/60hz.
Lamps:	FB4 units are supplied with lamps.
Certified Temp:	FL4 – -55°C to +70°C* FB4 – -50°C to +55°C (Exde) FB4 – -55°C to +55°C (UL Listed) FB4 – -55°C to +70°C* (Exd) *Model dependent - see table for details. *Operating temp is -20°C
Weight:	FL4 (Exd) 6.5 – 7.9 Kg. FL4 (Exde) 7.5 – 8.9 Kg. FB4 (Exd) 6.4 Kg. FB4 (Exde) 7.4 Kg. The above are for alloy versions. Add 8.4 Kg for stainless steel.
Ingress Protection:	NEMA 4x & 6. IP66 and IP67.
Entries:	Up to 3 x 1/2" NPT or 2 x 3/4" NPT in UL unit. Up to 3 x M20 or 2 x M25 ISO in Exd unit. Up to 4 x M20 or 4 x M25 ISO in Exe unit.



Terminals: Exe 6 off suitable for up to 6mm² cable or 10 off suitable for up to 2.5mm² cable.
Exd 8 off suitable for up to 6mm² cable.
UL 8 off suitable for up to 10 AWG.

FL4 Lamp Details

Unit Type	Lamp Type	Lamp Ref	Holder Type
FL4	DC Osram Dulux D/E 13W	DD/E 13/XX	G24q-1
	Philips PLC 13W	PLC 13 P4	G24q-1
FL4 AC	Osram Dulux D/E 13W	DD/E 13/XX	G24q-1
	Philips PLC 13W	PLC 13	G24d-1

Osram Colour XX = (21 = Cool white) (31 = Warm white) (41 = Interna)

Temperature Ratings

Unit Type	Wattage	T Class	Min. Amb	Max. Amb
FB4	100	T3	-55°C	55°C
		T4	-55°C	70°C
	60	T5	-55°C	30°C
FL4	39	T4	-20°C	70°C
		T5	-20°C	40°C
	13 & 26	T4	-20°C	70°C
		T5	-20°C	55°C
		T6	-20°C	40°C

Ordering Requirements

The following code is designed to help in selection of the correct unit. Build up the reference number by inserting the code for each component into the appropriate box.

Model	Voltage	Certification	Terminals	Entries	Lamp Wattage	Lens	Lens Guard	Options	Material	Finish																																																																																						
FL4 FB4	<table border="1"> <thead> <tr> <th>Voltage</th> <th>Code</th> </tr> </thead> <tbody> <tr><td>24Vd.c.</td><td>B</td></tr> <tr><td>48Vd.c.</td><td>C</td></tr> <tr><td>110Vd.c.</td><td>D</td></tr> <tr><td>110Va.c.</td><td>E</td></tr> <tr><td>120Va.c.</td><td>F</td></tr> <tr><td>220Va.c.</td><td>G</td></tr> <tr><td>240Va.c.</td><td>H</td></tr> <tr><td>254Va.c.</td><td>J</td></tr> </tbody> </table>	Voltage	Code	24Vd.c.	B	48Vd.c.	C	110Vd.c.	D	110Va.c.	E	120Va.c.	F	220Va.c.	G	240Va.c.	H	254Va.c.	J	<table border="1"> <thead> <tr> <th>Type</th> <th>Code</th> </tr> </thead> <tbody> <tr><td>6 x 6mm² (Exe)</td><td>6E*</td></tr> <tr><td>8 x 6mm² (Exd)</td><td>8D</td></tr> <tr><td>8 x 10 AWG (UL only)</td><td>8U</td></tr> </tbody> </table> <p>* Not available GOST 'R' or IECEx certified.</p>	Type	Code	6 x 6mm ² (Exe)	6E*	8 x 6mm ² (Exd)	8D	8 x 10 AWG (UL only)	8U	<table border="1"> <thead> <tr> <th>Wattage</th> <th>Code</th> </tr> </thead> <tbody> <tr><td>FL4 13W (1 x 13W tube)</td><td>13</td></tr> <tr><td>26W (2 x 13W tubes)</td><td>26*</td></tr> <tr><td>39W (3 x 13W tubes)</td><td>39*</td></tr> <tr><td>FB4 60W</td><td>60</td></tr> <tr><td>100W</td><td>100</td></tr> </tbody> </table> <p>* Not available d.c. or 254V a.c.</p>	Wattage	Code	FL4 13W (1 x 13W tube)	13	26W (2 x 13W tubes)	26*	39W (3 x 13W tubes)	39*	FB4 60W	60	100W	100	<table border="1"> <thead> <tr> <th>Colour</th> <th>Code</th> </tr> </thead> <tbody> <tr><td>Clear</td><td>C</td></tr> <tr><td>Red</td><td>R</td></tr> <tr><td>Blue</td><td>B</td></tr> <tr><td>Green</td><td>G</td></tr> <tr><td>Yellow</td><td>Y</td></tr> <tr><td>Amber</td><td>A</td></tr> </tbody> </table>	Colour	Code	Clear	C	Red	R	Blue	B	Green	G	Yellow	Y	Amber	A	<table border="1"> <thead> <tr> <th>Option</th> <th>Code</th> </tr> </thead> <tbody> <tr><td>Duty</td><td>D*</td></tr> <tr><td>Tag</td><td>T*</td></tr> <tr><td>Relay Initiate (UL only)</td><td>R</td></tr> <tr><td>None</td><td>N</td></tr> </tbody> </table> <p>* Please specify.</p>	Option	Code	Duty	D*	Tag	T*	Relay Initiate (UL only)	R	None	N	<table border="1"> <thead> <tr> <th>Finish</th> <th>Code</th> </tr> </thead> <tbody> <tr><td>Grey</td><td>G</td></tr> <tr><td>Red</td><td>R</td></tr> <tr><td>Blue</td><td>B</td></tr> <tr><td>Yellow</td><td>Y</td></tr> <tr><td>White</td><td>W</td></tr> <tr><td>Special</td><td>S*</td></tr> </tbody> </table> <p>* Please specify.</p>	Finish	Code	Grey	G	Red	R	Blue	B	Yellow	Y	White	W	Special	S*	<table border="1"> <thead> <tr> <th>Guard</th> <th>Code</th> </tr> </thead> <tbody> <tr><td>None</td><td>0</td></tr> <tr><td>Guard</td><td>1</td></tr> </tbody> </table>	Guard	Code	None	0	Guard	1	<table border="1"> <thead> <tr> <th>Material</th> <th>Code</th> </tr> </thead> <tbody> <tr><td>Stainless Steel</td><td>0</td></tr> <tr><td>Alloy</td><td>1</td></tr> </tbody> </table>	Material	Code	Stainless Steel	0	Alloy	1
Voltage	Code																																																																																															
24Vd.c.	B																																																																																															
48Vd.c.	C																																																																																															
110Vd.c.	D																																																																																															
110Va.c.	E																																																																																															
120Va.c.	F																																																																																															
220Va.c.	G																																																																																															
240Va.c.	H																																																																																															
254Va.c.	J																																																																																															
Type	Code																																																																																															
6 x 6mm ² (Exe)	6E*																																																																																															
8 x 6mm ² (Exd)	8D																																																																																															
8 x 10 AWG (UL only)	8U																																																																																															
Wattage	Code																																																																																															
FL4 13W (1 x 13W tube)	13																																																																																															
26W (2 x 13W tubes)	26*																																																																																															
39W (3 x 13W tubes)	39*																																																																																															
FB4 60W	60																																																																																															
100W	100																																																																																															
Colour	Code																																																																																															
Clear	C																																																																																															
Red	R																																																																																															
Blue	B																																																																																															
Green	G																																																																																															
Yellow	Y																																																																																															
Amber	A																																																																																															
Option	Code																																																																																															
Duty	D*																																																																																															
Tag	T*																																																																																															
Relay Initiate (UL only)	R																																																																																															
None	N																																																																																															
Finish	Code																																																																																															
Grey	G																																																																																															
Red	R																																																																																															
Blue	B																																																																																															
Yellow	Y																																																																																															
White	W																																																																																															
Special	S*																																																																																															
Guard	Code																																																																																															
None	0																																																																																															
Guard	1																																																																																															
Material	Code																																																																																															
Stainless Steel	0																																																																																															
Alloy	1																																																																																															
		<table border="1"> <thead> <tr> <th>Certification</th> <th>Code</th> </tr> </thead> <tbody> <tr><td>ATEX</td><td>B</td></tr> <tr><td>IECEX</td><td>J</td></tr> <tr><td>UL</td><td>UL*</td></tr> <tr><td>UL (ordinary locations)</td><td>UW†</td></tr> <tr><td>CUTR</td><td>G</td></tr> <tr><td>Inmetro</td><td>M</td></tr> </tbody> </table> <p>* UL (FB4) – only available 24V d.c., 110Va.c., NPT entries. * UL (FL4) – only available 24Vd.c., 110Va.c., 240Va.c., NPT entries. † UW only available for FL4.</p>	Certification	Code	ATEX	B	IECEX	J	UL	UL*	UL (ordinary locations)	UW†	CUTR	G	Inmetro	M	<table border="1"> <thead> <tr> <th>Entries</th> <th>Code</th> </tr> </thead> <tbody> <tr><td>M20</td><td>*B</td></tr> <tr><td>M25</td><td>*C</td></tr> <tr><td>1/2" NPT</td><td>*M†</td></tr> <tr><td>3/4" NPT</td><td>*N†</td></tr> </tbody> </table> <p>* Prefix entry size (see diagram above) with entry position code e.g. 2B3B. † UL Listed version only.</p>	Entries	Code	M20	*B	M25	*C	1/2" NPT	*M†	3/4" NPT	*N†																																																																					
Certification	Code																																																																																															
ATEX	B																																																																																															
IECEX	J																																																																																															
UL	UL*																																																																																															
UL (ordinary locations)	UW†																																																																																															
CUTR	G																																																																																															
Inmetro	M																																																																																															
Entries	Code																																																																																															
M20	*B																																																																																															
M25	*C																																																																																															
1/2" NPT	*M†																																																																																															
3/4" NPT	*N†																																																																																															

All specifications, dimensions, weights and tolerances are nominal (typical) and MEDC reserve the right to vary all data without prior notice. No liability is accepted for any consequence of use.

