

## Ex d, Weatherproof

AVAILABLE IN  
STAINLESS STEEL



### Features

- Zone 1 and Zone 2 use.
- Ex d, IIB T5 /T6\*.
- ATEX approved, Ex II 2G.
- CENELEC approved, BASEEFA certified.
- UL Listed – Class I, Div 1. Groups C & D.
- IECEx certified, Gb.
- CUTR certified.
- Brazilian (Inmetro) certified.
- IP66.
- Certified temperature: -20°C to +70°C.
- Up to 113 dB(A) output.
- Available in marine grade alloy or stainless steel.
- 27 output tones, user selectable.
- Telephone initiate option.
- Tones can be selected remotely.
- Tones comply with UKOOA/PFEER guidelines.
- Any two tones may be switched via the external voltage supply.
- End of line resistor option.

\*Model dependent.

### Introduction

This range of lightweight, flameproof Sounders have been designed with a high weatherproof rating to cope with the harsh environmental conditions found offshore and onshore in the oil, gas and petrochemical industries.

Electronic circuitry allows the DB1P and DB1HP to be switched between two selectable tones by either reversing the supply polarity, or connecting a second voltage supply.

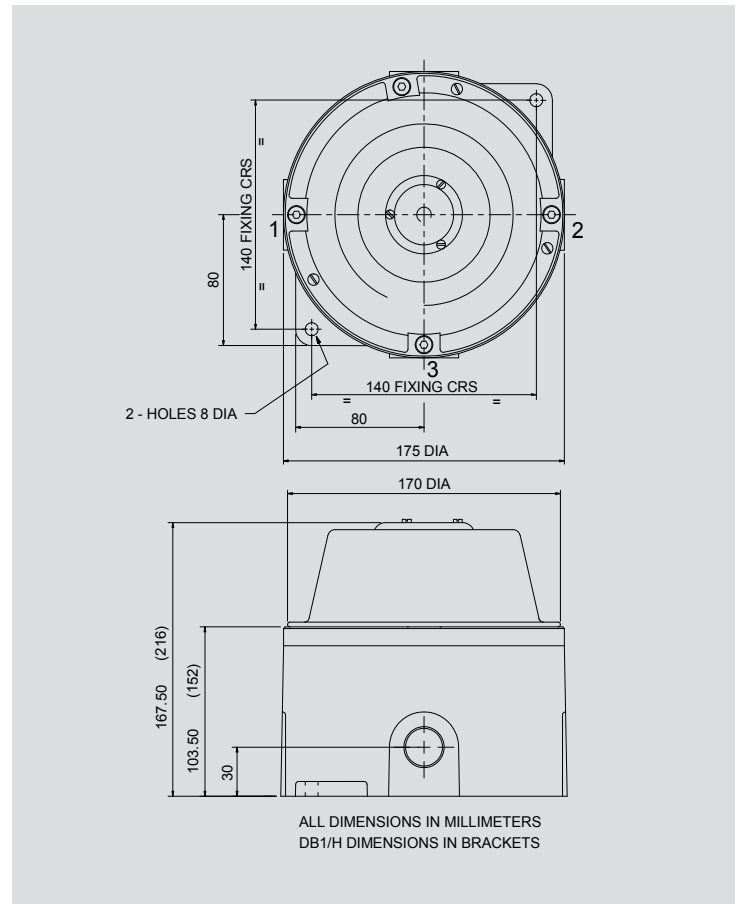
The higher output DB1H and DB1HP are particularly suitable for noisy environments.

Stainless steel, one of the most durable materials available on the market, is both hard wearing and corrosion resistant, increasing the life of products in harsh environments and therefore reducing maintenance costs.



# Certification and Specification

<b>ATEX DB1P Ex d:</b>	Cert. no. BAS00ATEX0207X. Certified to: EN60079-0, EN60079-1. Ex II 2G, Ex d IIB T6.
<b>ATEX DB1HP Ex d:</b>	Cert. no. BAS00ATEX0209X. Certified to: EN60079-0, EN60079-1. Ex II 2G, Ex d IIB T5.
<b>IECEX DB1P Ex d:</b>	Cert. no. IECEX BAS 10.0065X. Certified to: IEC60079-0, IEC60079-1. Ex d IIB T6 Gb.
<b>IECEX DB1HP Ex d:</b>	Cert. no. IECEX BAS 10.0064X. Certified to: IEC60079-0, IEC60079-1. Ex d IIB T5 Gb.
<b>UL Haz Locs:</b>	Listing no. E187688. Class I, Div 1, Groups C & D.
<b>CUTR DB1P Ex d:</b>	1Ex d IIB T6 Gb.
<b>Inmetro DB1P Ex d:</b>	Ex d IIB T5/T6 Gb.
<b>Inmetro DB1HP Ex d:</b>	Ex d IIB T5/T6 Gb.
<b>Material:</b>	LM25 corrosion resistant alloy or ANC4B stainless steel with stainless steel cover screws. ABS flare.
<b>Finish:</b>	Epoxy paint finish as standard or to customer specification.
<b>Certified Temp:</b>	ATEX/CENELEC -20°C to +55°C (DB1 & DB1P). ATEX/CENELEC -20°C to +70°C (DB1H & DB1HP). UL -25°C to +70°C.
<b>Weight:</b>	DB1(P) 3.5 Kg Alloy, 8.3 Kg stainless. DB1H(P) 5.6 Kg Alloy, 12.7 Kg stainless.
<b>Ingress Protection:</b>	IP66.
<b>Entries:</b>	Up to 3 x M25 or M20 ISO.
<b>Terminals:</b>	Suitable to accept up to 4mm <sup>2</sup> cable. Note: Terminals limited to 2.5mm <sup>2</sup> cable on a.c. version with telephone initiate option only.
<b>Output:</b>	DB1(P) = 103 ± 3dB(A) (96 ± 3dB(A) for 12V DB1). DB1H(P) = 110 ± 3dB(A) @ 1 metre. Note: Sound level is dependent upon the tone selection.
<b>Labels:</b>	Tag and Duty labels optional.
<b>Tone Selection:</b>	Single Stage Unit a.c. 27 user selectable tones including, PFEER/UK00A tones. Two Stage Unit d.c. Switchable between any two of the 27 tones by either: (i) Reversing the polarity of the supply, or (ii) By a 3 wire common +ve system, switching between the two -ve lines. Note: Reverse monitoring is achievable on Two Stage Version by selection of terminals.



## Current Consumption:

	DB1(P)	DB1H(P)
12V	125mA	900mA
24V	250mA	700mA
48V	250mA	350mA
120V	60mA	200mA
240V	50mA	100mA

## Ordering Requirements

The following code is designed to help in selection of the correct unit. Build up the reference number by inserting the code for each component into the appropriate box.

Model	Certification	Material	Voltage	Entries	Duty	Tag	Options	Finish																																																																																
<input type="text"/> <b>DB1P</b> <b>DB1HP</b>	<table border="1"> <thead> <tr> <th>Certification</th> <th>Code</th> </tr> </thead> <tbody> <tr><td>ATEX/CENELEC</td><td>B</td></tr> <tr><td>IECEX</td><td>J</td></tr> <tr><td>UL</td><td>UL</td></tr> <tr><td>CUTR</td><td>G</td></tr> <tr><td>Inmetro</td><td>DM</td></tr> <tr><td colspan="2">UL - Available Alloy only. - 12V d.c., 24V d.c., 48V d.c. 110V a.c. only.</td></tr> </tbody> </table> <p>* Only available in DB1P</p>	Certification	Code	ATEX/CENELEC	B	IECEX	J	UL	UL	CUTR	G	Inmetro	DM	UL - Available Alloy only. - 12V d.c., 24V d.c., 48V d.c. 110V a.c. only.		<table border="1"> <thead> <tr> <th>Material</th> <th>Code</th> </tr> </thead> <tbody> <tr><td>Alloy</td><td>A</td></tr> <tr><td>Stainless Steel</td><td>S</td></tr> </tbody> </table>	Material	Code	Alloy	A	Stainless Steel	S	<table border="1"> <thead> <tr> <th>Voltage</th> <th>Code</th> </tr> </thead> <tbody> <tr><td>12V d.c.</td><td>012</td></tr> <tr><td>24V d.c.</td><td>024</td></tr> <tr><td>48V d.c.</td><td>048</td></tr> <tr><td>110V a.c.</td><td>110</td></tr> <tr><td>240V a.c.</td><td>240</td></tr> </tbody> </table>	Voltage	Code	12V d.c.	012	24V d.c.	024	48V d.c.	048	110V a.c.	110	240V a.c.	240	<table border="1"> <thead> <tr> <th>Entries</th> <th>Code</th> </tr> </thead> <tbody> <tr><td>M20</td><td>A</td></tr> <tr><td>M25</td><td>B</td></tr> <tr><td>1/2" NPT (UL Only)</td><td>C</td></tr> <tr><td>3/4" NPT (UL Only)</td><td>D</td></tr> <tr><td>LHS</td><td>*1</td></tr> <tr><td>RHS</td><td>*2</td></tr> <tr><td>Bottom</td><td>*3</td></tr> </tbody> </table> <p>* Prefix position with entry size code e.g. A1A3 = M20 left and bottom entries.</p>	Entries	Code	M20	A	M25	B	1/2" NPT (UL Only)	C	3/4" NPT (UL Only)	D	LHS	*1	RHS	*2	Bottom	*3	<table border="1"> <thead> <tr> <th>Duty</th> <th>Code</th> </tr> </thead> <tbody> <tr><td>None</td><td>N</td></tr> <tr><td>Required</td><td>D*</td></tr> </tbody> </table> <p>* Please specify wording.</p>	Duty	Code	None	N	Required	D*	<table border="1"> <thead> <tr> <th>Tag</th> <th>Code</th> </tr> </thead> <tbody> <tr><td>None</td><td>N</td></tr> <tr><td>Required</td><td>T*</td></tr> </tbody> </table> <p>* Please specify wording.</p>	Tag	Code	None	N	Required	T*	<table border="1"> <thead> <tr> <th>Options</th> <th>Code</th> </tr> </thead> <tbody> <tr><td>Not required</td><td>N</td></tr> <tr><td>Telephone Initiate</td><td>T†</td></tr> <tr><td>Relay Initiate</td><td>R</td></tr> <tr><td>Remote Tone Select</td><td>S</td></tr> <tr><td>End of line resistor</td><td>E*</td></tr> </tbody> </table> <p>* State value. † Not available UL certified.</p>	Options	Code	Not required	N	Telephone Initiate	T†	Relay Initiate	R	Remote Tone Select	S	End of line resistor	E*	<table border="1"> <thead> <tr> <th>Finish</th> <th>Code</th> </tr> </thead> <tbody> <tr><td>Red</td><td>R</td></tr> <tr><td>Grey</td><td>G</td></tr> <tr><td>Special</td><td>S*</td></tr> </tbody> </table> <p>* Please specify.</p>	Finish	Code	Red	R	Grey	G	Special	S*
Certification	Code																																																																																							
ATEX/CENELEC	B																																																																																							
IECEX	J																																																																																							
UL	UL																																																																																							
CUTR	G																																																																																							
Inmetro	DM																																																																																							
UL - Available Alloy only. - 12V d.c., 24V d.c., 48V d.c. 110V a.c. only.																																																																																								
Material	Code																																																																																							
Alloy	A																																																																																							
Stainless Steel	S																																																																																							
Voltage	Code																																																																																							
12V d.c.	012																																																																																							
24V d.c.	024																																																																																							
48V d.c.	048																																																																																							
110V a.c.	110																																																																																							
240V a.c.	240																																																																																							
Entries	Code																																																																																							
M20	A																																																																																							
M25	B																																																																																							
1/2" NPT (UL Only)	C																																																																																							
3/4" NPT (UL Only)	D																																																																																							
LHS	*1																																																																																							
RHS	*2																																																																																							
Bottom	*3																																																																																							
Duty	Code																																																																																							
None	N																																																																																							
Required	D*																																																																																							
Tag	Code																																																																																							
None	N																																																																																							
Required	T*																																																																																							
Options	Code																																																																																							
Not required	N																																																																																							
Telephone Initiate	T†																																																																																							
Relay Initiate	R																																																																																							
Remote Tone Select	S																																																																																							
End of line resistor	E*																																																																																							
Finish	Code																																																																																							
Red	R																																																																																							
Grey	G																																																																																							
Special	S*																																																																																							