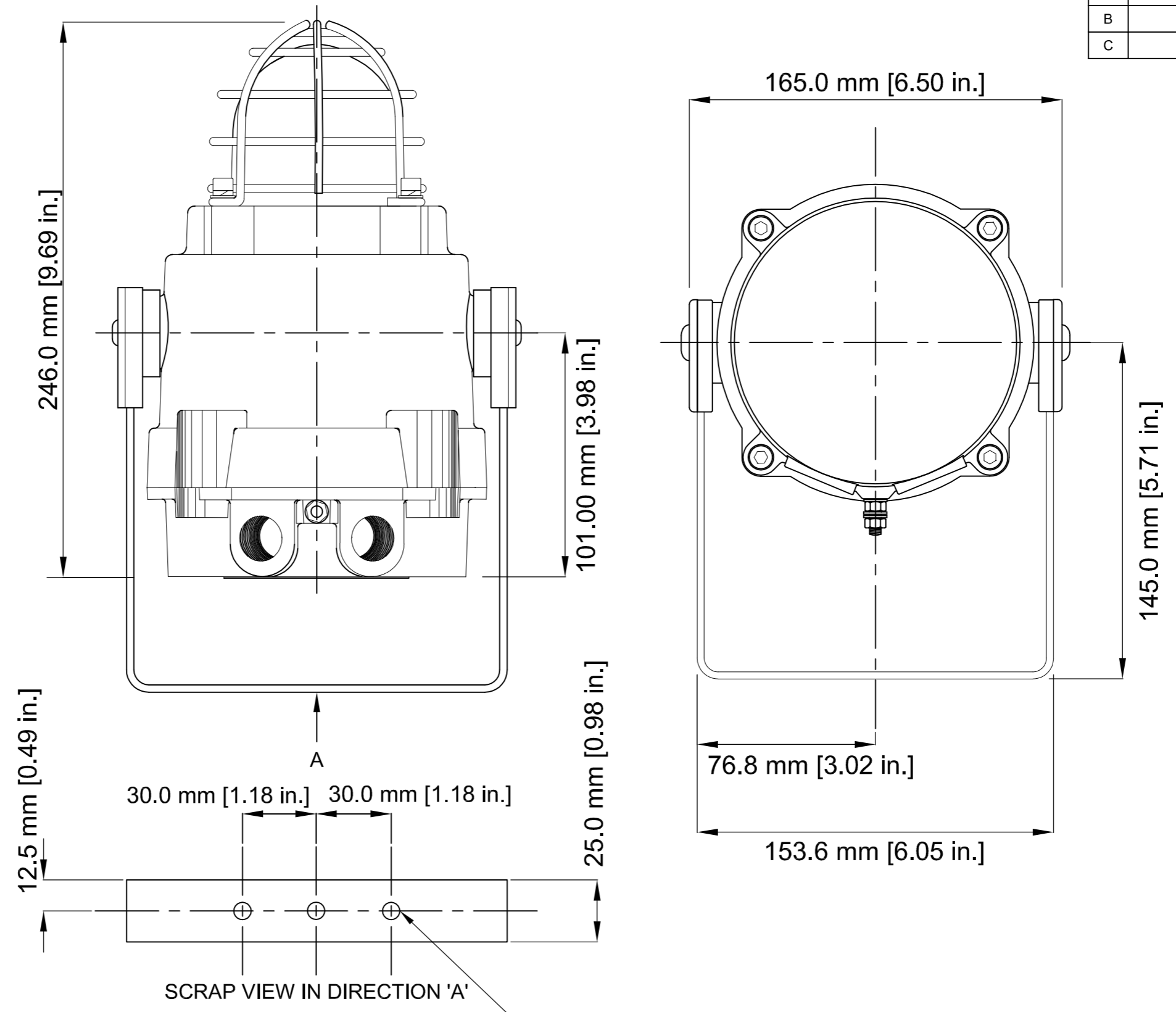


ISSUE	MOD No.	INITIAL/DATE
A		INTRODUCTION OF PART GU 28-08-09
B		SCRAP VIEW AND DIMENSIONS FOR BRACKET ADDED - GU 08-10-09
C		UPDATED TO DUAL DIMS. RSR 24-06-13



E2S PART NO.	DESCRIPTION	DATA REFERENCE
BExBG05...	BExBG05 XENON BEACON (Ex d VERSION)	1.21.110
BExBG10...	BExBG10 XENON BEACON (Ex d VERSION)	1.21.120
BExBG15...	BExBG15 XENON BEACON (Ex d VERSION)	1.21.130
BExBG21...	BExBG21 XENON BEACON	1.21.090
BExBGL1...	BExBGL1 LED BEACON	1.21.100
BExTBG05...	BExTBG05 ZONE 1, 2, 21 & 22 TELEPHONE BEACON	1.21.150

WHERE APPLICABLE '-UL' VERSIONS ARE COVERED BY THIS OUTLINE DRAWING.

3 x Ø7mm [0.28 in.] dia.
Mounting Holes

DRAWING TO BS8888:2000 GEOMETRIC TOLERANCES TO ISO1101:1983 LINEAR DIMENSIONAL TOLS ANGULAR DIMENSIONAL TOLS	DRAWN G. UDOWICZENKO	DATE 26-08-09	SURFACE FINISH	WEIGHT (Kg)	THIS DRAWING AND ANY INFORMATION OR DESCRIPTIVE MATTER THEREIN IS COMMUNICATED IN CONFIDENCE AND IS THE COPYRIGHT PROPERTY OF EUROPEAN SAFETY SYSTEMS LTD. NEITHER THE WHOLE OR ANY EXTRACT MAY BE DISCLOSED, LOANED, COPIED OR USED FOR MANUFACTURING OR TENDERING PURPOSES WITHOUT THEIR WRITTEN CONSENT.	 warning signals EUROPEAN SAFETY SYSTEMS LTD IMPRESS HOUSE MANSELL ROAD ACTON LONDON W3 7QH WWW.E2S.COM	ALL DIMENSIONS IN MM IF IN DOUBT, ASK - DO NOT SCALE	 A2		
	CHECKED	DATE	MATERIAL							
	APPROVED	DATE	ALTERNATIVE MATERIAL							
STANDARDS					EUROPEAN SAFETY SYSTEMS LTD. AS PER LATEST DATE OF ISSUE SHOWN ABOVE	 warning signals EUROPEAN SAFETY SYSTEMS LTD IMPRESS HOUSE MANSELL ROAD ACTON LONDON W3 7QH WWW.E2S.COM	TITLE BExBG Ex d BEACON OUTLINE	SCALE NTS	SHEET 1 OF 1	DRAWING NUMBER SK0118