

1

SPECTRA B450TLA

Traffic Light L.E.D. Array Beacon
 24 x High powered L.E.D's
 IP Rating: IP65
 Temp: -25°C to +50°C
 Unit weight: 410g
 CE

Dimensions : Ø140 x 177mm
 2.5mm² terminals
 Cable entry: 1 x 5-7mm push through
 grommet
 2 x M20 cable entry (IP65)

Order code Voltage
 B450TLA030B/x 10-30V DC 175mA
 B450TLA230B/x 90-230V AC 15-40mA

x = L.E.D. colour
 R = Red A = Amber
 G = Green C = Clear (White)

Multi-unit connection possible using
 connector supplied
 B450 and B350 units are interconnectable

B450TLA units are supplied with clear
 lenses to optimise effectiveness in strong
 ambient light

Tel : +44 (0)20 8743 8880 Fax : +44 (0)20 8740 4200
 mail : sales@e2s.com web : www.e2s.com



2



ATTENTION: Installation must be carried out by an electrician in compliance with the latest codes and regulations.



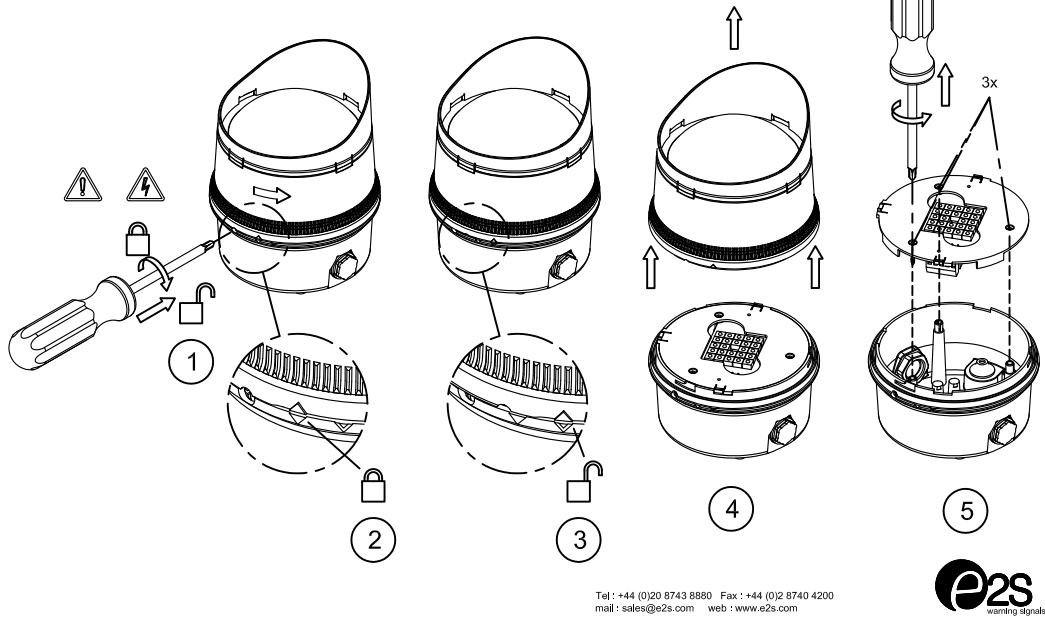
ATTENTION: Disconnect from power source before installation or service to prevent electric shock.



ATTENTION: Lens on unit will be hot allow to cool prior to removal.

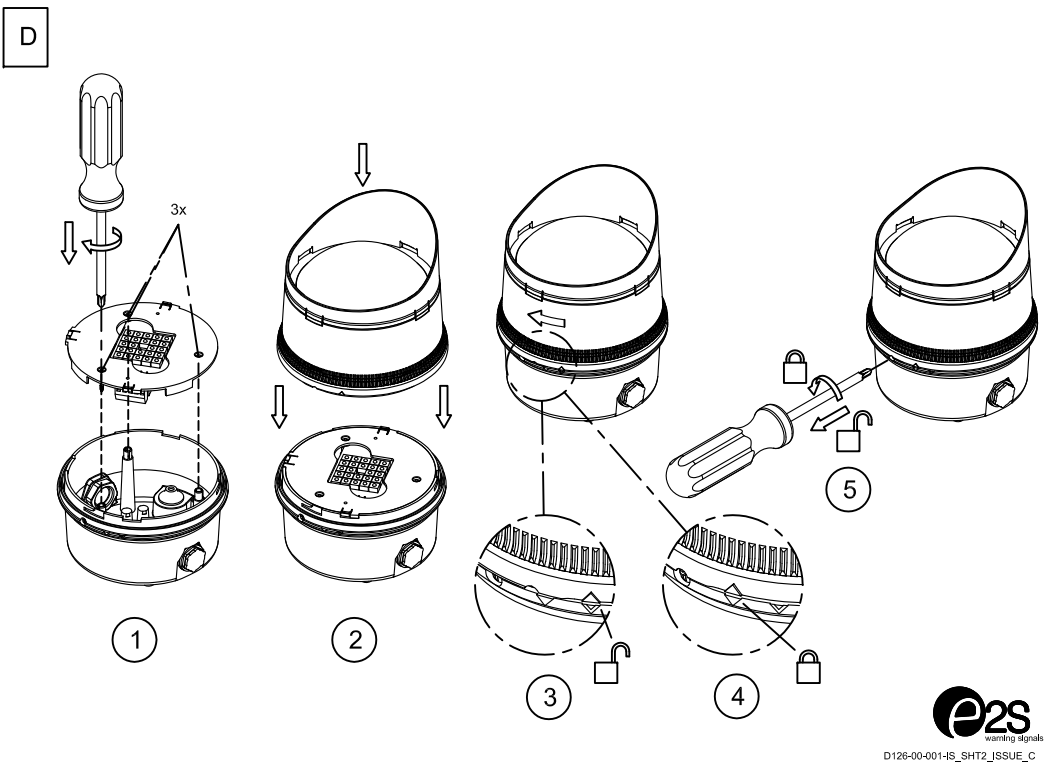
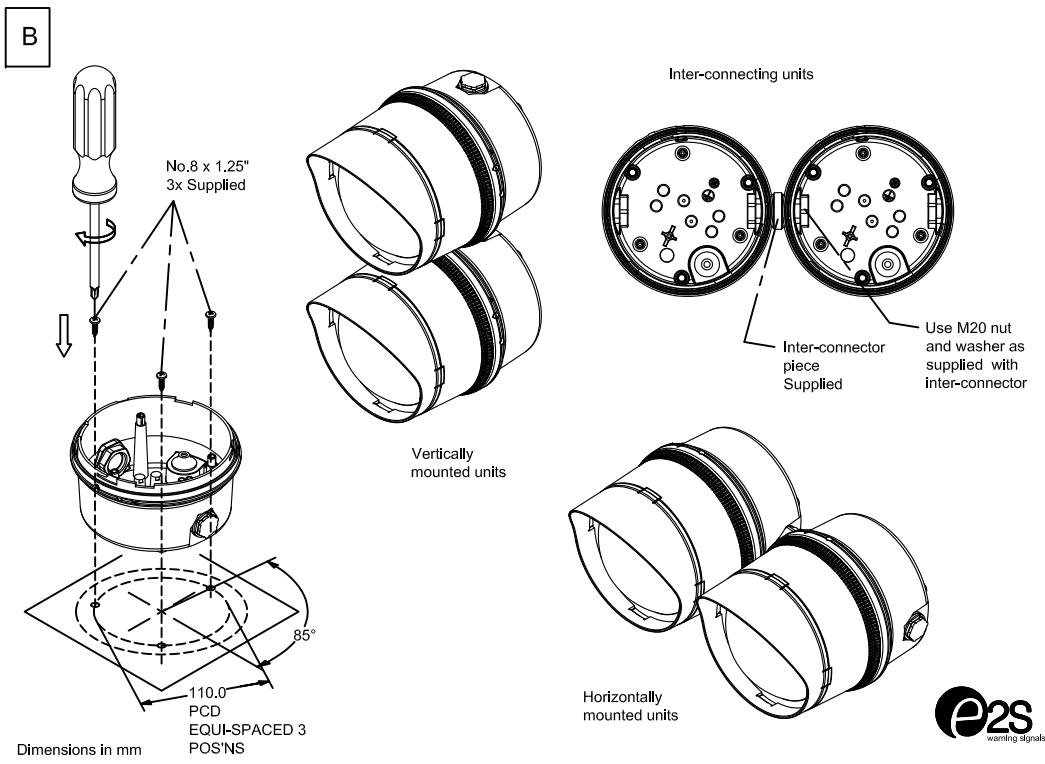
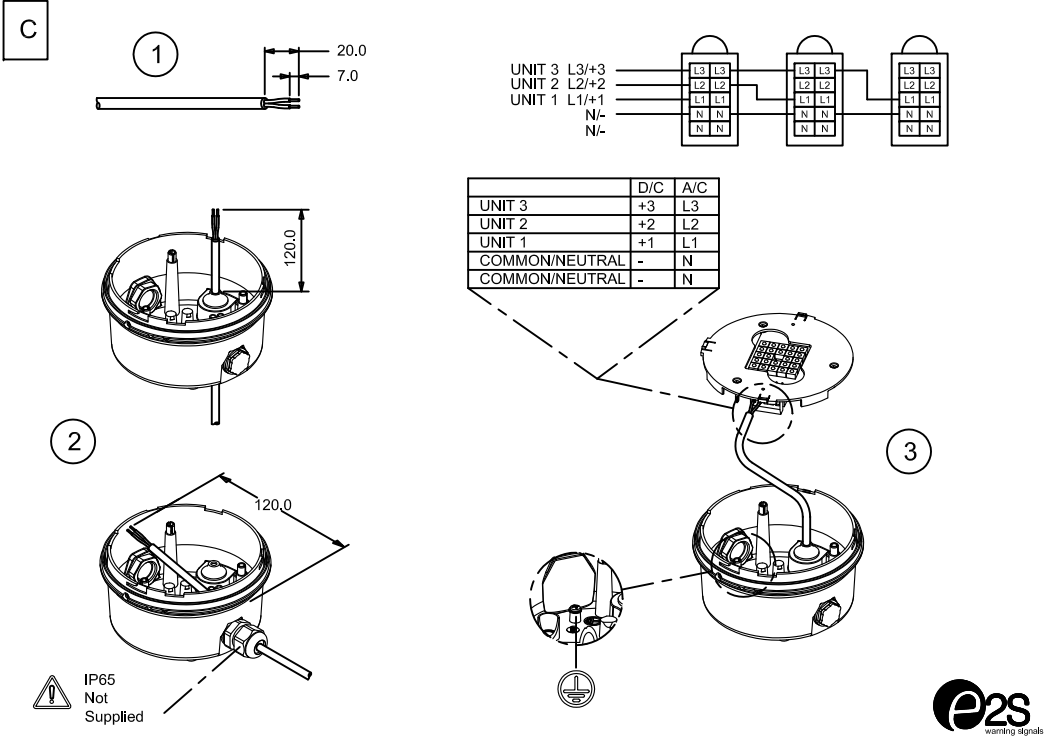


A SPECTRA B450TLA



Tel : +44 (0)20 8743 8880 Fax : +44 (0)2 8740 4200
 mail : sales@e2s.com web : www.e2s.com

e2s
warning signals



e2s
warning signals

D126-00-0014S_SHT2_ISSUE_C