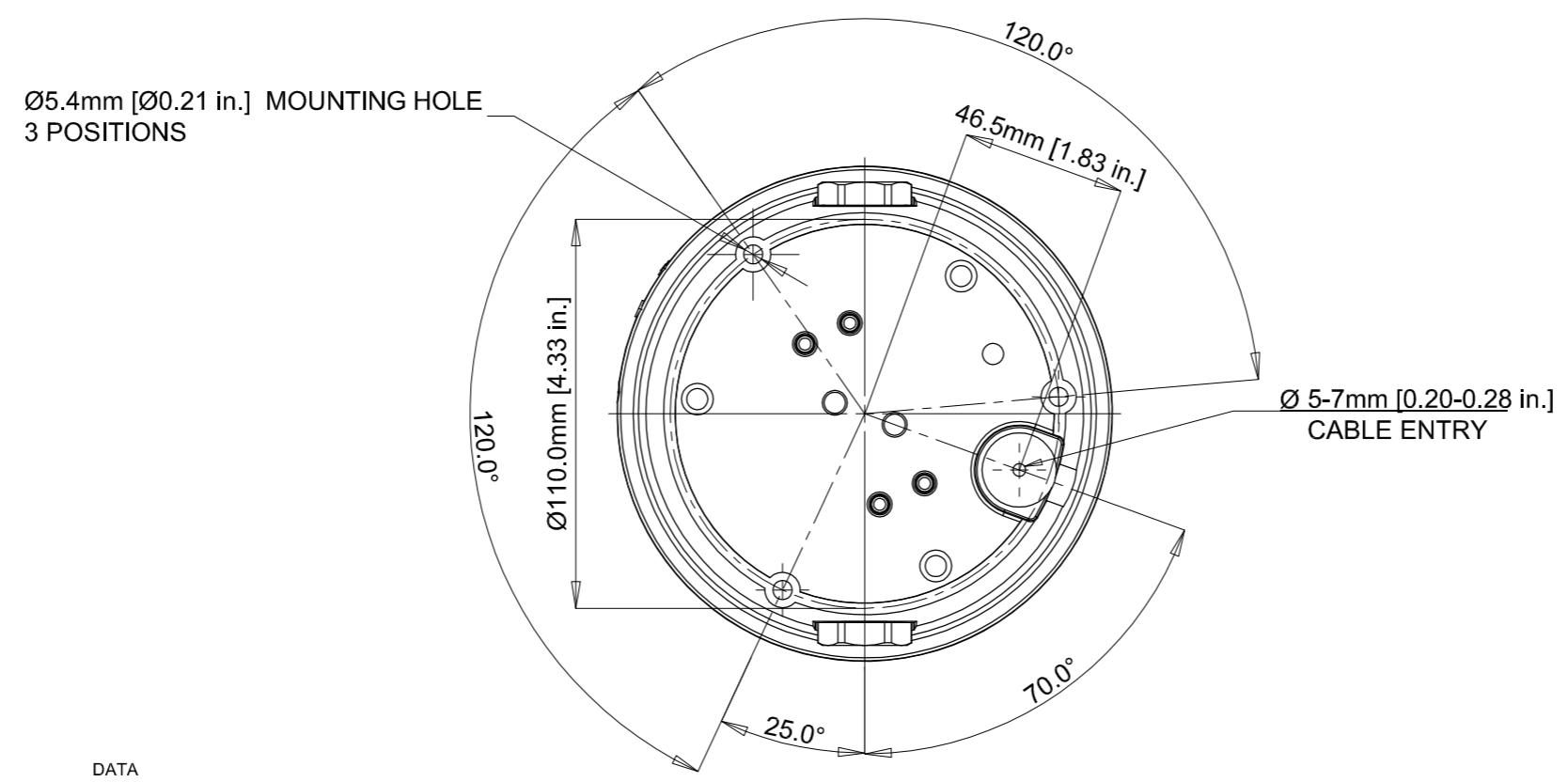
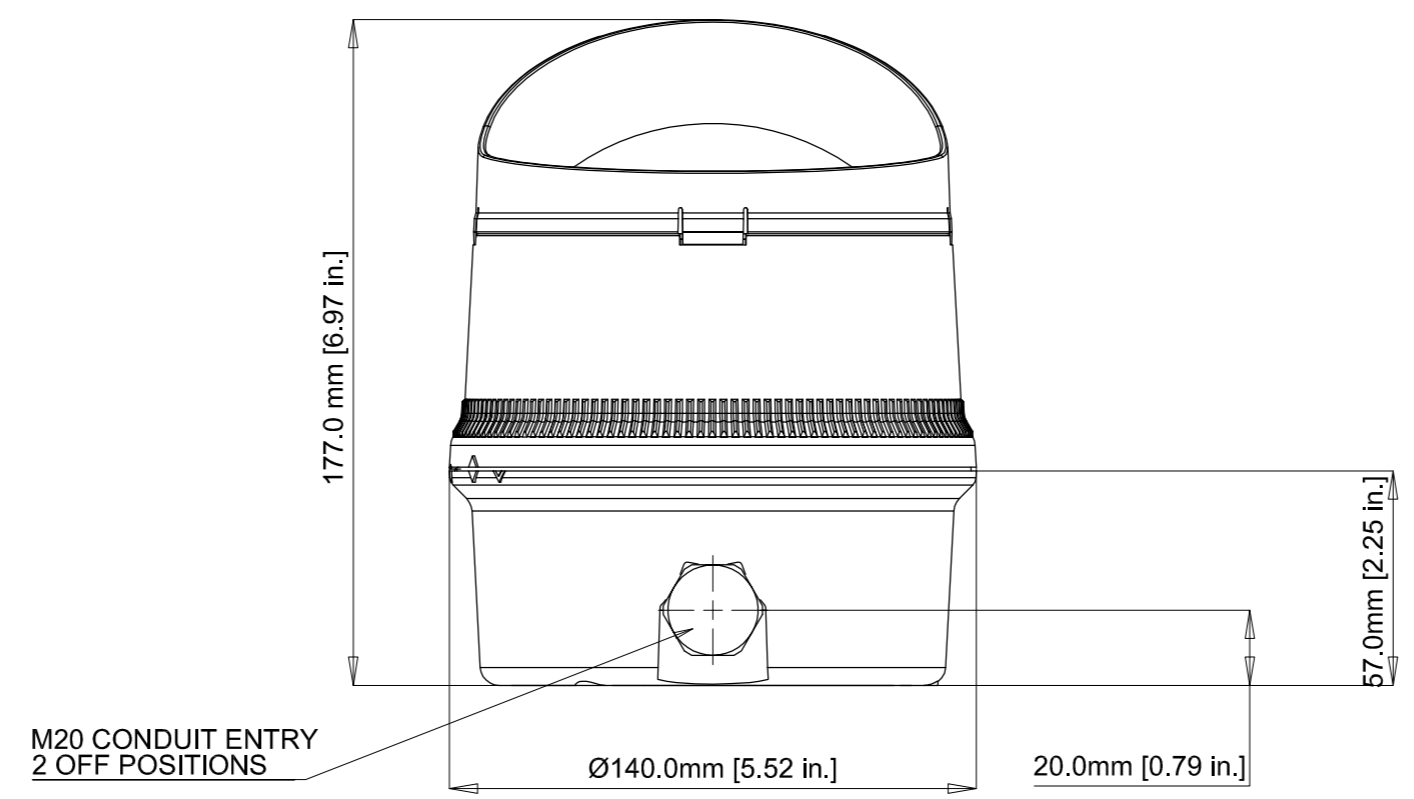


ISSUE	MOD No.	REASON - INITIAL - DATE
A		INTRODUCTION OF PART RNP 25:10:07
B		UPDATED TO DUAL DIMS. RSR 25:06:13



E2S PART NO. REFERENCE	DESCRIPTION	DATA
B450TSB...	B450TSB FILAMENT LAMP TRAFFIC LIGHT	2.11.030
B450TLA...	B450TLA L.E.D TRAFFIC LIGHT	2.11.020
B450TDB...	B450TDB DUAL FILAMENT LAMP TRAFFIC LIGHT	2.11.040

WHERE APPLICABLE 'UL' VERSIONS ARE COVERED BY THIS OUTLINE DRAWING.

DRAWING TO BS8888:2002 GEOMETRIC TOLERANCES TO ISO1101:1983 LINEAR DIMENSIONAL TOLS ANGULAR DIMENSIONAL TOLS	DRAWN R.N.POTTS	DATE 25.10.07	SURFACE FINISH FINISH	WEIGHT (Kg)	THIS DRAWING AND ANY INFORMATION OR DESCRIPTIVE MATTER THEREIN IS COMMUNICATED IN CONFIDENCE AND IS THE COPYRIGHT PROPERTY OF EUROPEAN SAFETY SYSTEMS LTD. NEITHER THE WHOLE OR ANY EXTRACT MAY BE DISCLOSED, LOANED, COPIED OR USED FOR MANUFACTURING OR TENDERING PURPOSES WITHOUT THEIR WRITTEN CONSENT.	 EUROPEAN SAFETY SYSTEMS LTD IMPRESS HOUSE MANSELL ROAD ACTON LONDON W3 7QH WWW.E2S.COM	ALL DIMENSIONS IN MM IF IN DOUBT, ASK - DO NOT SCALE.	 A1
	STANDARDS SPECTRA	CHECKED	DATE	ALTERNATIVE MATERIAL				
TITLE B450 INSTALLATION OUTLINE SIZE						SCALE 1:1	SHEET 1 OF 1	DRAWING NUMBER SK0016