

1

# SPECTRA B400SLH

Permanent Status Beacon  
 G6,35/GY6,35 Halogen bulb  
 IP Rating: IP65  
 Temp: -25°C to +50°C  
 Unit weight: 510g  
 CE

Order code          Voltage  
 B400SLH250B/x 12-250V

Mountings  
 B400RAB001 Right angle bracket  
 B400TMA001 Tube mounting assembly

B400SLH unit is supplied without a bulb  
 Please order correct voltage and wattage

Dimensions : Ø140 x 225mm  
 1.5mm<sup>2</sup> terminals  
 Cable entry: 1 x 5-7mm push through  
 grommet  
 2 x M20 cable entry ( IP65)

x = Lens colour  
 R = Red                  A = Amber  
 B = Blue                C = Clear  
 G = Green               Y = Yellow

Bulb Type G6,35 / GY6,35

E2S Part No.	Version
BJC35W12VCL	12V 35W
BJC35W24VCL	24V 35W
BJC40W120VCL	115V 40W
BJC40W230VCL	230V 40W

Tel : +44 (0)20 8743 8880 Fax : +44 (0)20 8740 4200  
 mail : sales@e2s.com web : www.e2s.com



2



**ATTENTION:** Installation must be carried out by an electrician in compliance with the latest codes and regulations.



**ATTENTION:** Disconnect from power source before installation or service to prevent electric shock.



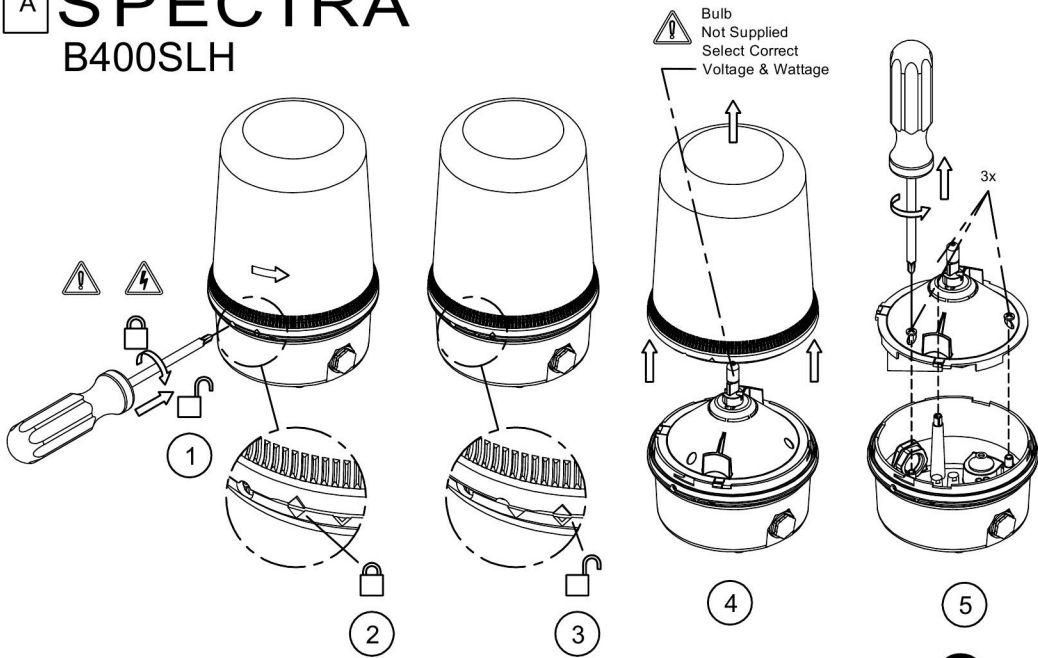
**ATTENTION:** Lens on unit will be hot allow to cool prior to removal.



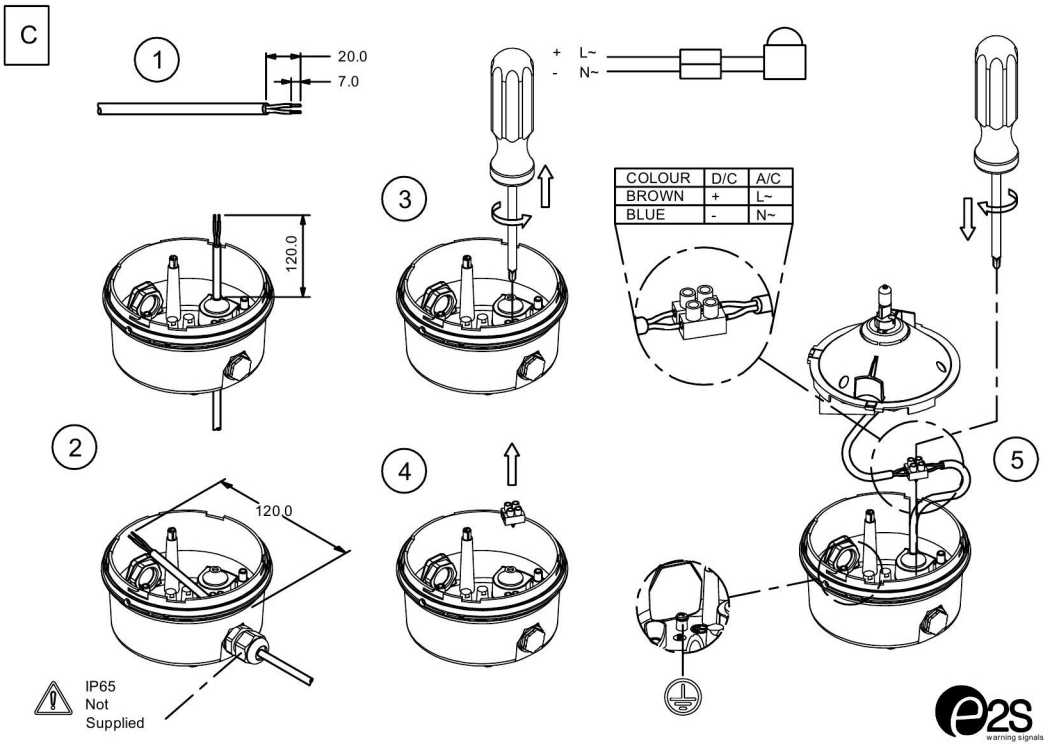
**ATTENTION:** Do not touch the surface of the halogen bulb when changing



# A SPECTRA B400SLH

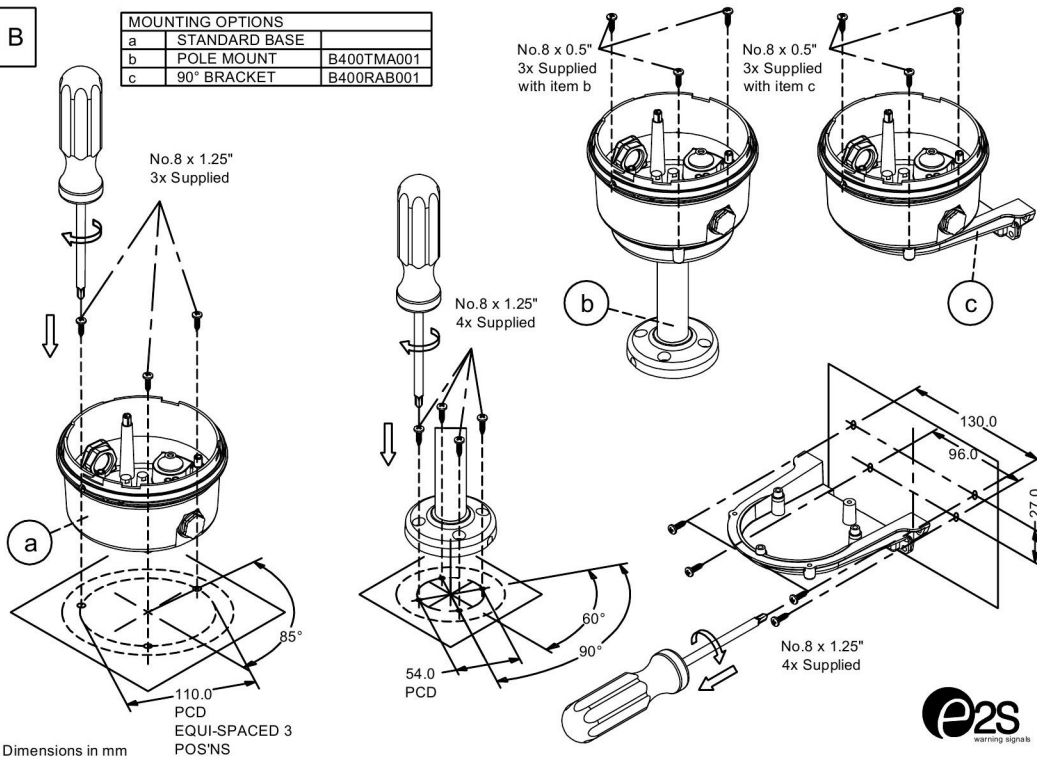


Tel: +44 (0)20 8743 8880 Fax: +44 (0)2 8740 4200  
mail: sales@e2s.com web: www.e2s.com



### B

MOUNTING OPTIONS		
a	STANDARD BASE	
b	POLE MOUNT	B400TMA001
c	90° BRACKET	B400RAB001



Dimensions in mm

