

1

SPECTRA B400RTH

Rotating Beacon
 G6,35/GY6,35 Halogen Bulb
 IP Rating: IP65
 Temp: -25°C to +50°C
 Unit weight: 578g
 CE

Order code	Voltage
B400RTH012B/x	12V DC 3000mA
B400RTH024B/x	24V DC 1540mA
B400RTH048B/x	48V DC/AC 840mA

B400RTH115B/x	115V AC 338mA
B400RTH230B/x	230V AC 186mA

Mountings
 B400RAB001 Right angle bracket
 B400TMA001 Tube mounting assembly

Dimensions : Ø140 x 225mm
 1.5mm² terminals
 Cable entry: 1 x 5-7mm push through
 grommet
 2 x M20 cable entry (IP65)

x = Lens colour
 R = Red A = Amber
 B = Blue C = Clear
 G = Green Y = Yellow

Bulb Type	G6,35 / GY6,35
E2S Part No.	Bulb Beacon Type
BJC35W12VCL	12V 35W 12V
BJC35W24VCL	24V 35W 24V
BJC20W24VCL	24V 20W x 2 48V
BJCD40W120VCL	115V 40W 115V
BJCD40W230VCL	230V 40W 230V

Tel : +44 (0)20 8743 8880 Fax : +44 (0)20 8740 4200
 mail : sales@e2s.com web : www.e2s.com



2



ATTENTION: Installation must be carried out by an electrician in compliance with the latest codes and regulations.



ATTENTION: Disconnect from power source before installation or service to prevent electric shock.



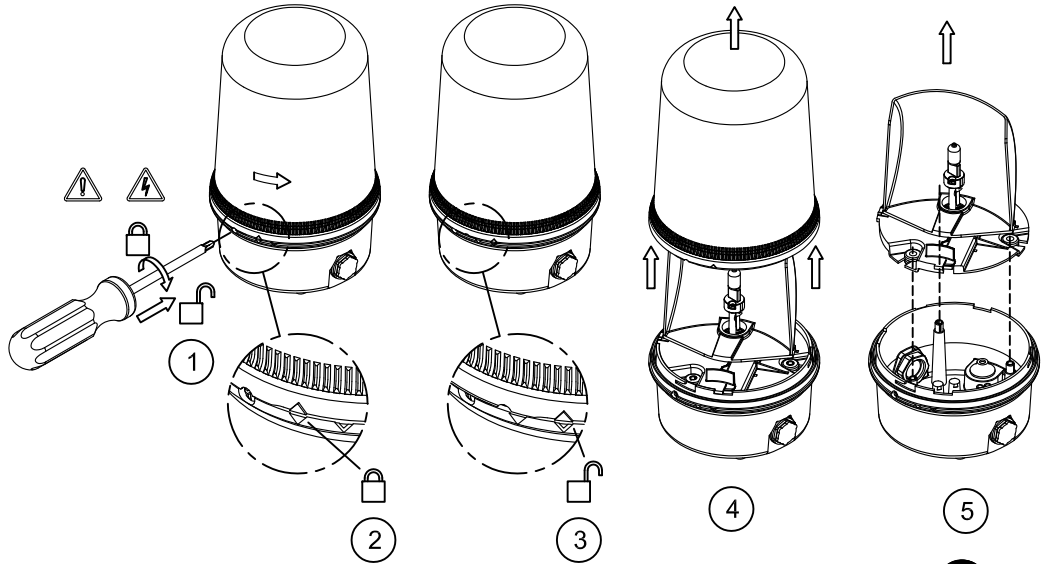
ATTENTION: Lens on unit will be hot allow to cool prior to removal.



ATTENTION: Do not touch the surface of halogen bulb when changing.



A SPECTRA B400RTH



Tel : +44 (0)20 8743 8880 Fax : +44 (0)20 8740 4200
 mail : sales@e2s.com web : www.e2s.com

