

1

SPECTRA B400LDA

L.E.D. Array Beacon

32 x High powered L.E.D's

9 Selectable user modes

IP Rating: IP65

Temp: -25°C to +50°C

Unit weight: 845g DC 595g AC

CE

Dimensions : Ø140 x 225mm

1.5mm² terminals

Cable entry: 1 x 5-7mm push through grommet

2 x M20 cable entry (IP65)

x = Lens colour

R = Red

A = Amber

B = Blue

G = Green

Y = Yellow

Order code

Voltage

B400LDA050B/x 10-50V DC 400mA

B400LDA115B/x 115V AC 140mA

B400LDA230B/x 230V AC 70mA

Mountings

B400RAB001 Right angle bracket

B400TMA001 Tube mounting assembly

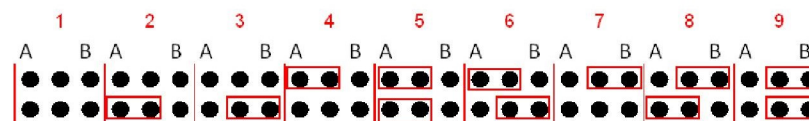
Tel : +44 (0)20 8743 8880 Fax : +44 (0)20 8740 4200
mail : sales@e2s.com web : www.e2s.com



3

B400LDA

Stage 1 [DC & AC unit]	Stage2 [DC unit only]	Stage3 [DC unit only]
1 All L.E.D's on	Alternate Side Flash 2Hz	Double Strike Flash 2Hz
2 Rotating: Slow 1	Alternate Side Flash 2Hz	All L.E.D's on
3 Single Strike Flash 2Hz	Rotating: Fast 2	All L.E.D's on
4 Rotating: Fast 1	Single Strike Flash 2Hz	All L.E.D's on
5 Rotating: Slow 2	Double Strike Flash 1Hz	All L.E.D's on
6 Double Strike Flash 2Hz	Rotating: Fast 2	All L.E.D's on
7 Rotating: Fast 2	Double Strike Flash 2Hz	All L.E.D's on
8 Double Strike Flash 1Hz	Alternate Side Flash 2Hz	All L.E.D's on
9 Alternate Side Flash 2Hz	Rotating: Fast 2	All L.E.D's on



2



ATTENTION: Installation must be carried out by an electrician in compliance with the latest codes and regulations.



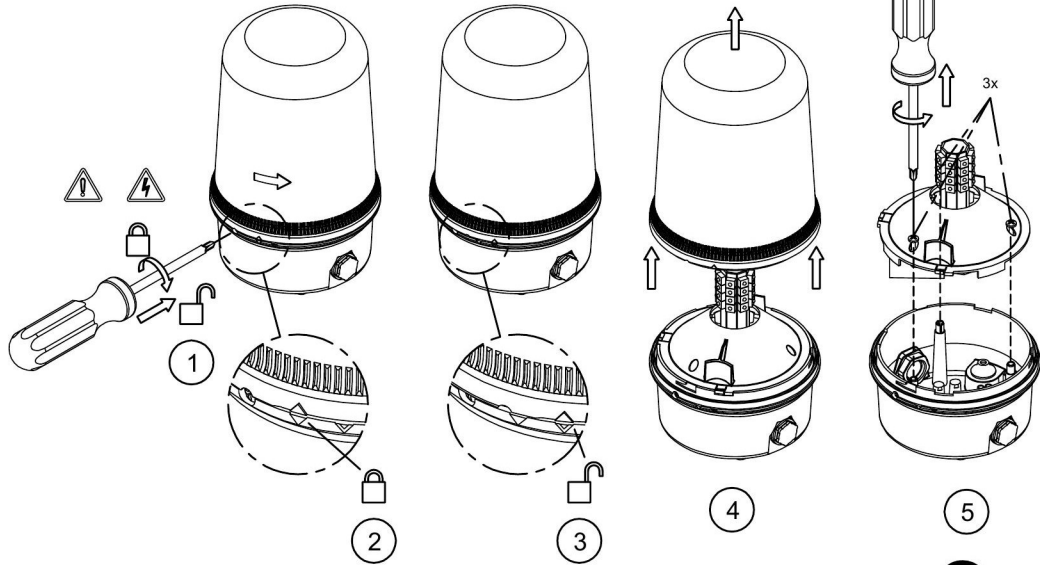
ATTENTION: Disconnect from power source before installation or service to prevent electric shock.



ATTENTION: Lens on unit will be hot allow to cool prior to removal.



A SPECTRA B400LDA



Tel : +44 (0)20 8743 8880 Fax : +44 (0)20 8740 4200
mail : sales@e2s.com web : www.e2s.com

