

1

SPECTRA B350TLA

Traffic Light L.E.D. Array Beacon

15 x High powered L.E.D's

IP Rating: IP65

Temp: -25°C to +50°C

Unit weight: 210g

CE

Dimensions : Ø100 x 140mm

1.5mm² terminals

Cable entry: 1 x 5-7mm push through grommet

2 x M20 cable entry (IP65)

Order code Voltage

B350TLA030B/x 10-30V DC 140mA

B350TLA230B/x 90-230V AC 10-40mA

x = L.E.D. colour

R = Red

A = Amber

G = Green

Multi-unit connection possible using connector supplied

B450 and B350 units are interconnectable

B350TLA units are supplied with clear lenses to optimise effectiveness in strong ambient light

Tel : +44 (0)20 8743 8880 Fax : +44 (0)20 8740 4200
mail : sales@e2s.com web : www.e2s.com



2



ATTENTION: Installation must be carried out by an electrician in compliance with the latest codes and regulations.



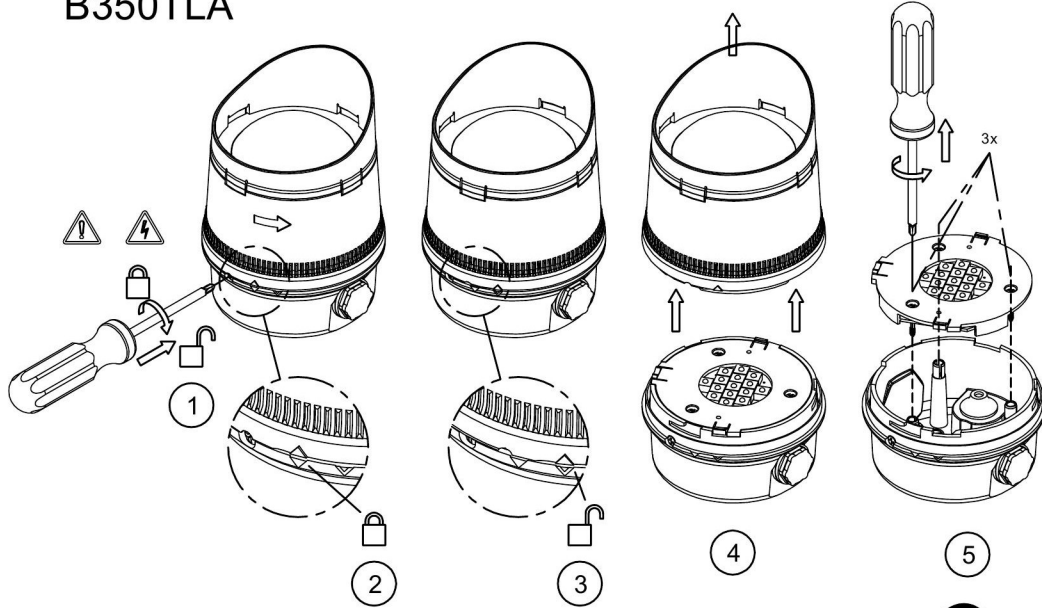
ATTENTION: Disconnect from power source before installation or service to prevent electric shock.



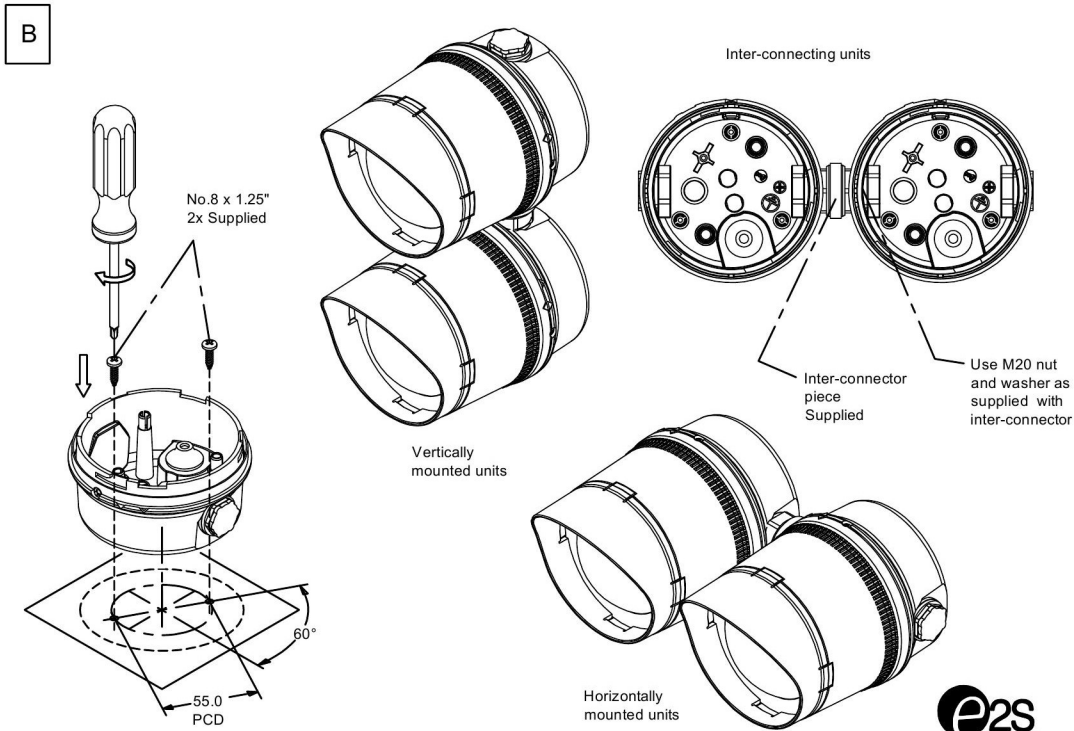
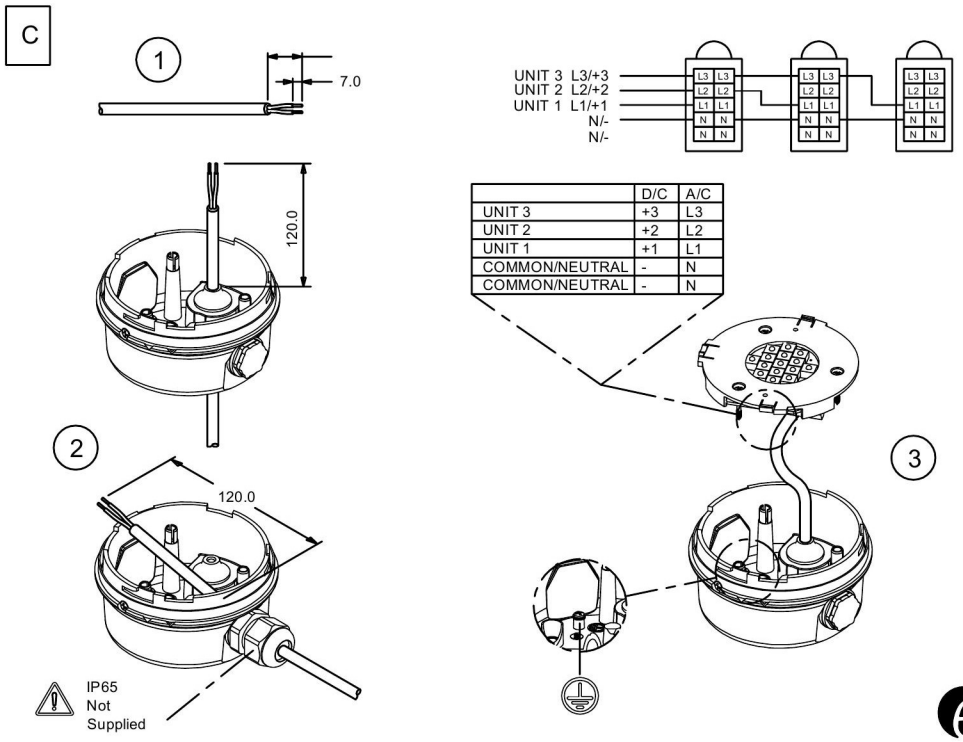
ATTENTION: Lens on unit will be hot allow to cool prior to removal.



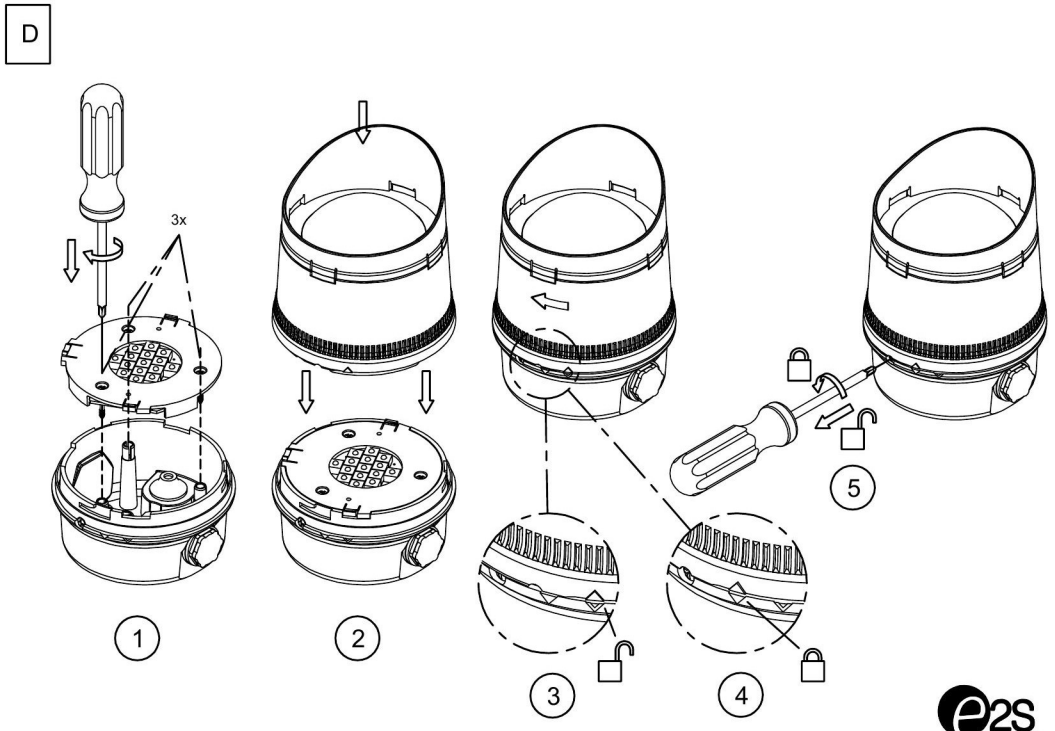
A SPECTRA B350TLA



Tel: +44 (0)20 8743 8880 Fax: +44 (0)20 8740 4200
mail: sales@e2s.com web: www.e2s.com



Dimensions in mm



D116-00-001-IS_SHT2_ISSUE_B