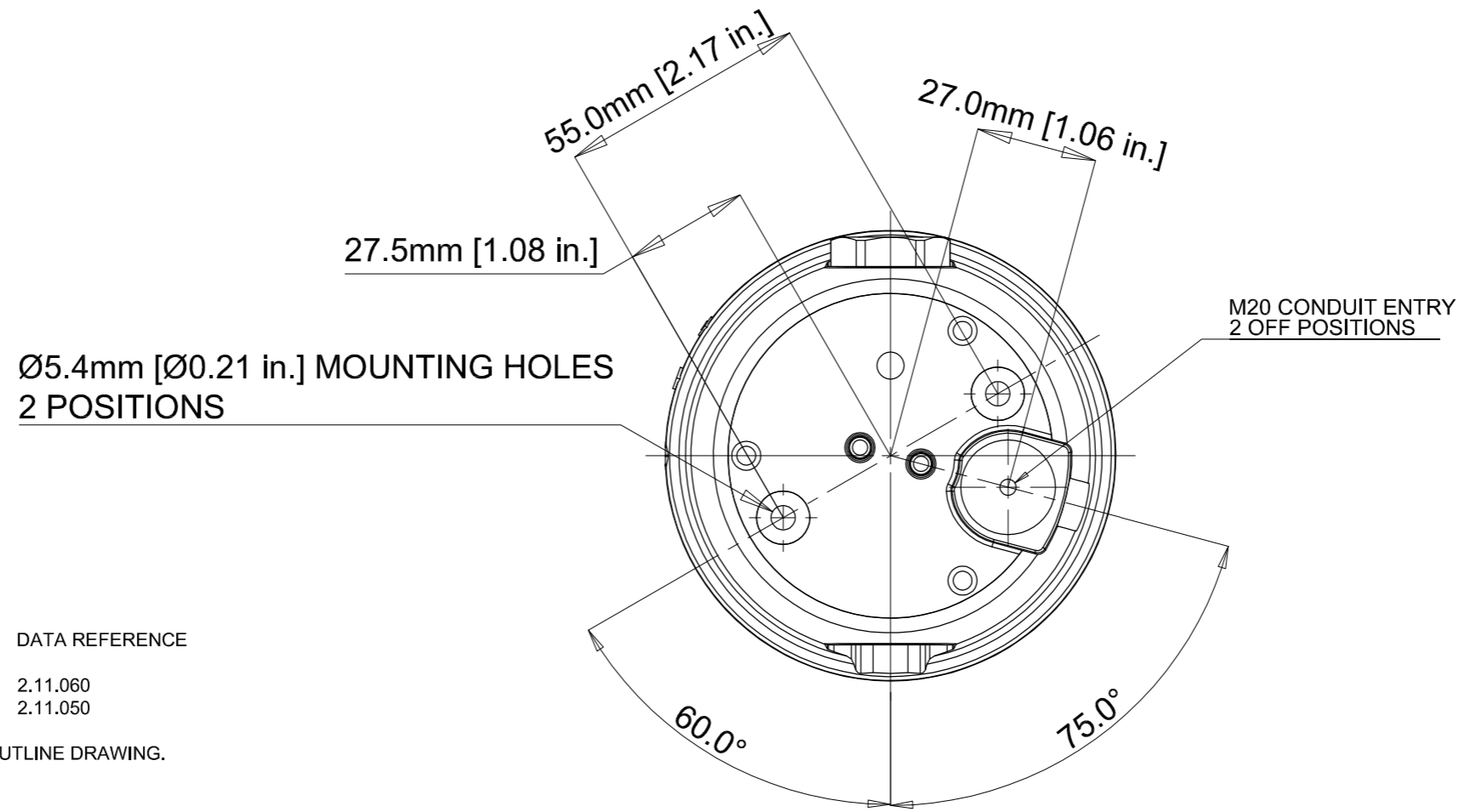
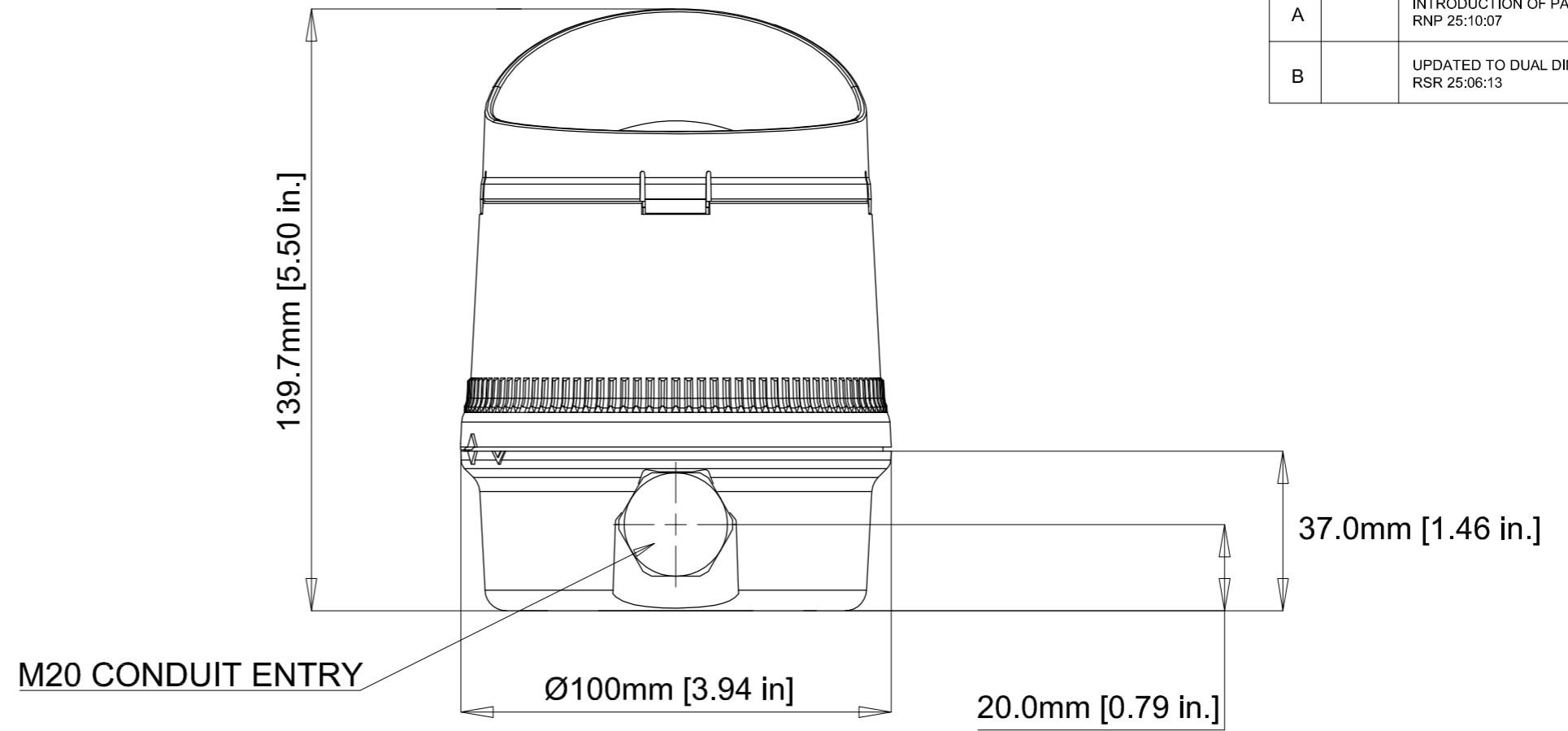


ISSUE	MOD No.	REASON - INITIAL - DATE
A		INTRODUCTION OF PART RNP 25:10:07
B		UPDATED TO DUAL DIMS. RSR 25:06:13



E2S PART NO.	DESCRIPTION	DATA REFERENCE
B350TSB...	B350TSB FILAMENT LAMP TRAFFIC LIGHT	2.11.060
B350TLA...	B350TLA L.E.D TRAFFIC LIGHT	2.11.050

WHERE APPLICABLE '-UL' VERSIONS ARE COVERED BY THIS OUTLINE DRAWING.

DRAWING TO BS8888:2000 GEOMETRIC TOLERANCES TO ISO1101:1983 LINEAR DIMENSIONAL TOLS ANGULAR DIMENSIONAL TOLS	DRAWN <b>R.N.POTTS</b>	DATE <b>25.10.07</b>	SURFACE FINISH FINISH	WEIGHT (Kg)	THIS DRAWING AND ANY INFORMATION OR DESCRIPTIVE MATTER THEREIN IS COMMUNICATED IN CONFIDENCE AND IS THE COPYRIGHT PROPERTY OF EUROPEAN SAFETY SYSTEMS LTD. NEITHER THE WHOLE OR ANY EXTRACT MAY BE DISCLOSED, LOANED, COPIED OR USED FOR MANUFACTURING OR TENDERING PURPOSES WITHOUT THEIR WRITTEN CONSENT.  © EUROPEAN SAFETY SYSTEMS LTD. AS PER LATEST DATE OF ISSUE SHOWN ABOVE	 EUROPEAN SAFETY SYSTEMS LTD IMPRESS HOUSE MANSELL ROAD ACTON LONDON W3 7QH WWW.E2S.COM	ALL DIMENSIONS IN MM IF IN DOUBT, ASK - DO NOT SCALE		<b>A2</b>
	STANDARDS SPECTRA	CHECKED	DATE	MATERIAL			TITLE <b>B350 INSTALLATION OUTLINE SIZE</b>		
		APPROVED	DATE	ALTERNATIVE MATERIAL			SCALE 1:1	SHEET 1 OF 1	DRAWING NUMBER <b>SK0013</b>