

1

SPECTRA B300RTH

Rotating Beacon
 G6,35/GY6,35 Halogen Bulb
 IP Rating: IP65
 Temp: -25°C to +50°C
 Unit weight: 370g DC : 370g AC
 CE

Order code Voltage
 B300RTH012B/x 12V DC 1720mA
 B300RTH024B/x 24V DC 910mA

B300RTH115B/x 115V AC 216mA
 B300RTH230B/x 230V AC 117mA

Mountings
 B300RAB001 Right angle bracket
 B300TMA001 Tube mounting assembly

Dimensions : Ø100 x 150mm
 1.5mm² terminals
 Cable entry: 1 x 5-7mm push through
 grommet
 1 x M20 cable entry (IP65)

x = Lens colour
 R = Red A = Amber
 B = Blue C = Clear
 G = Green Y = Yellow

Bulb Type G6,35 / GY6,35

E2S Part No.	Version
BJC20W12VCL	12V 20W
BJC20W24VCL	24V 20W
BJCD25W120VCL	115V 25W
BJCD25W230VCL	230V 25W

Tel : +44(0)20 8743 8880 Fax : +44(0)20 8740 4200
 mail : sales@e2s.com web : www.e2s.com



2



ATTENTION: Installation must be carried out by an electrician in compliance with the latest codes and regulations.



ATTENTION: Disconnect from power source before installation or service to prevent electric shock.



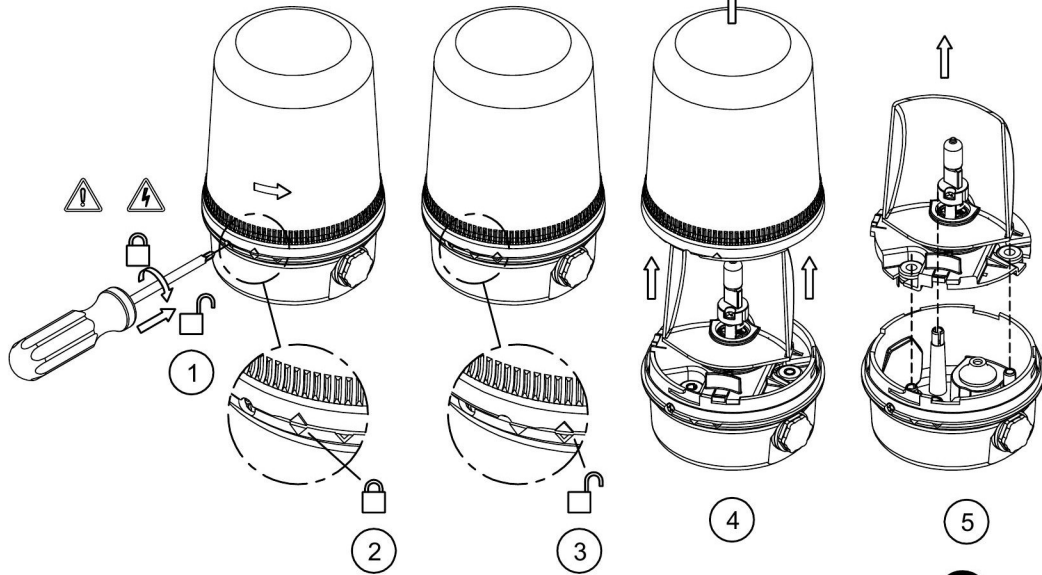
ATTENTION: Lens on unit will be hot allow to cool prior to removal.



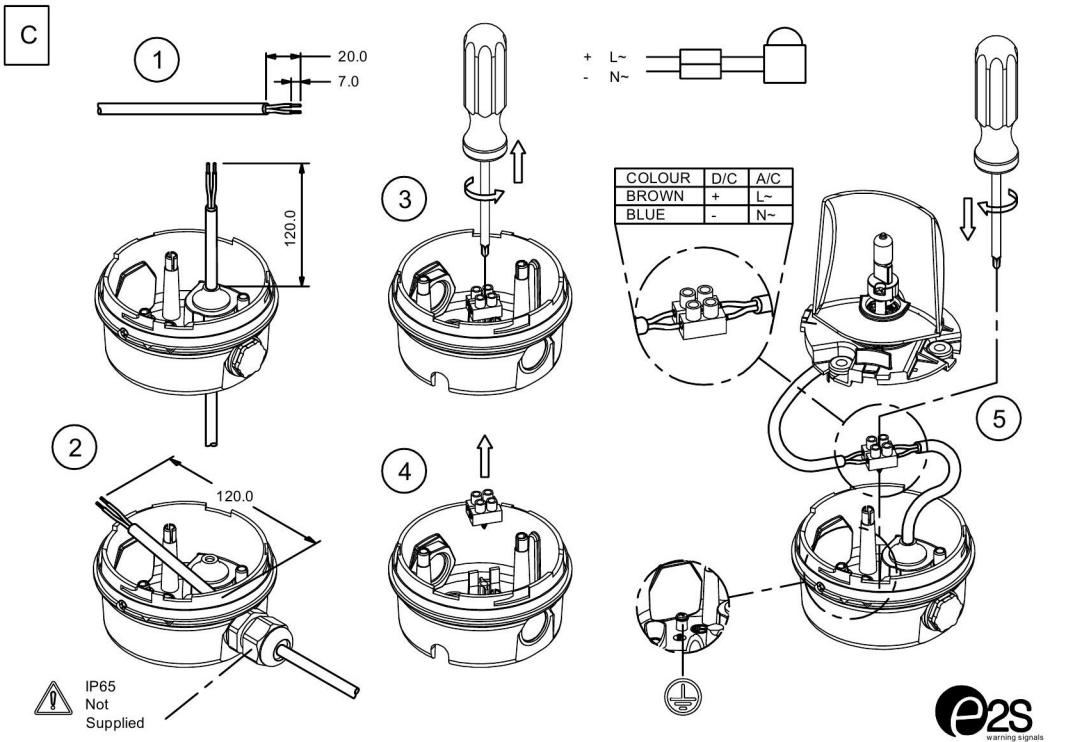
ATTENTION: Do not touch the surface of halogen bulb when changing.



A SPECTRA B300RTH



Tel: +44(0)20 8743 8880 Fax: +44(0)20 8740 4200
mail: sales@e2s.com web: www.e2s.com

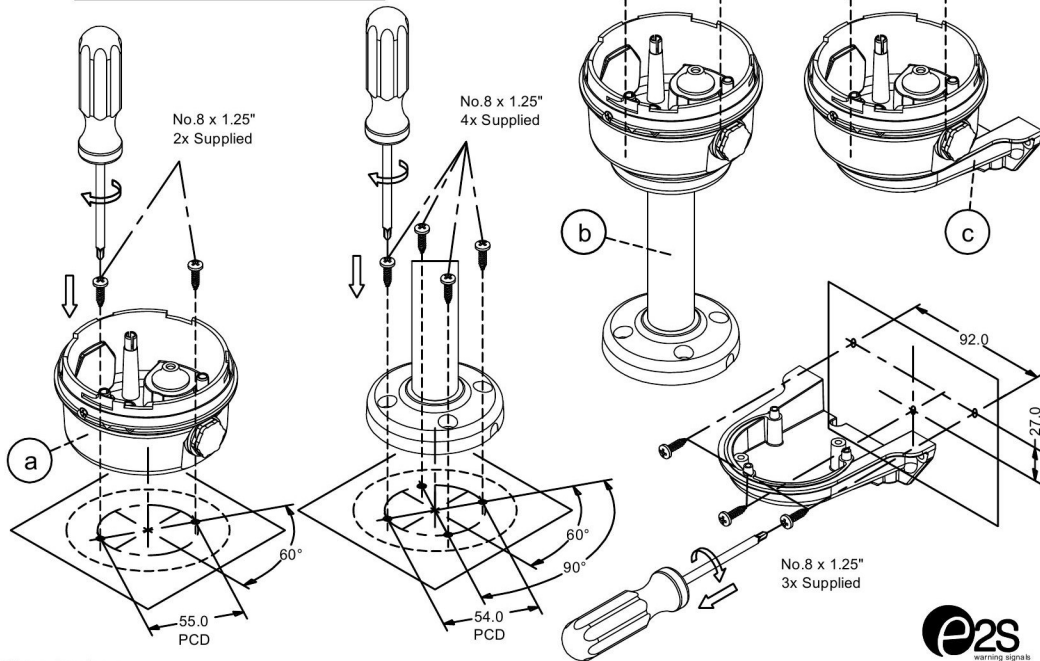


B

MOUNTING OPTIONS	
a	STANDARD BASE
b	POLE MOUNT B300TMA001
c	90° BRACKET B300RAB001

No.8 x 0.5"
2x Supplied
with item b

No.8 x 0.5"
2x Supplied
with item c



Dimensions in mm

