

1

# SPECTRA B200STR

Xenon Strobe Flashing Beacon

1J @ 0.75Hz

IP Rating: IP65

Temp: -25°C to +50°C

Unit weight: 84g DC, 89g AC

CE

Dimensions : Ø60 x 80mm

2.5mm<sup>2</sup> terminals

Cable entry: 1 x 5-7mm push through  
grommet

x = Lens colour

R = Red

A = Amber

B = Blue

G = Green

Y = Yellow

C = Clear

Order code	Voltage
B200STR030B/x	10-30V DC/AC
	82mA @ 24V DC
	145mA @ 24V AC

B200STR115B/x 115V AC 30mA

B200STR230B/x 230V AC 25mA

Mountings

B200RAB001 Right angle bracket

B200TMA001 Tube mounting assembly

Tel : +44 (0)20 8743 8880 Fax : +44 (0)20 8740 4200  
mail : sales@e2s.com web : www.e2s.com



2



**ATTENTION:** Installation must be carried out by an electrician in compliance with the latest codes and regulations.



**ATTENTION:** Disconnect from power source before installation or service to prevent electric shock.



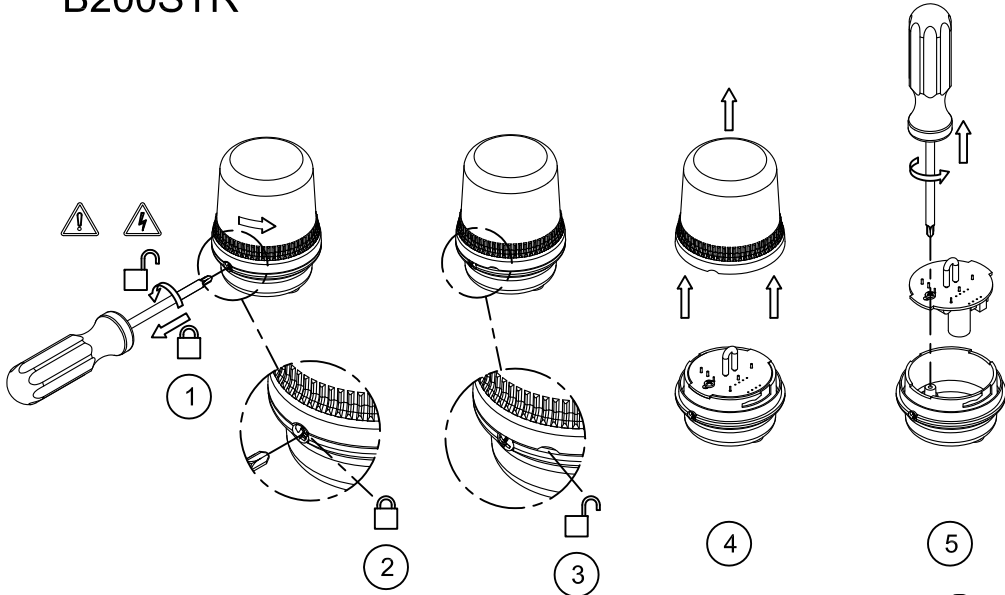
**ATTENTION:** On strobe beacons allow a minimum of 2 minutes for hazardous high voltage to discharge from unit.



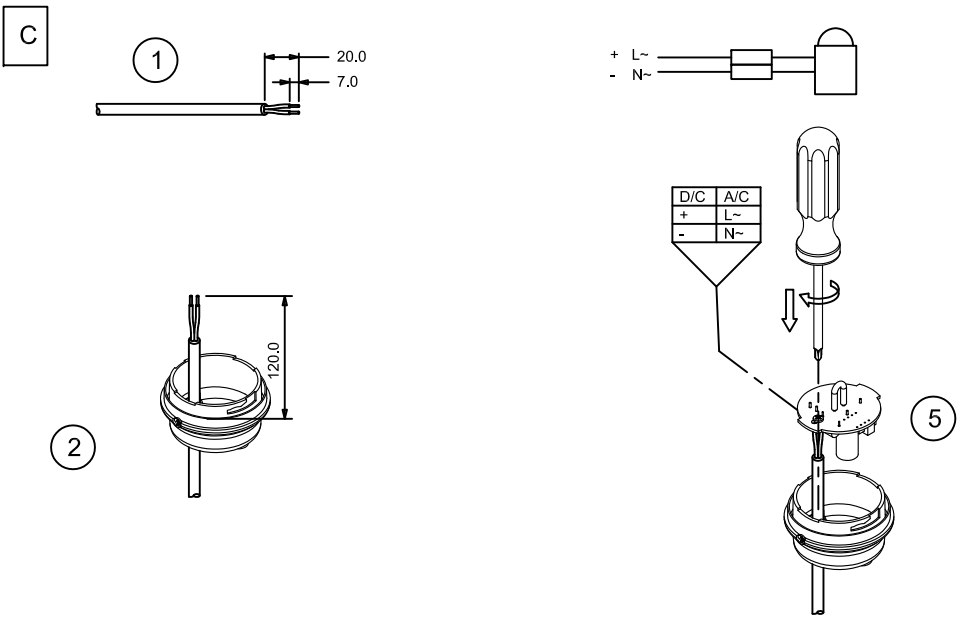
**ATTENTION:** Lens on unit will be hot allow to cool prior to removal.



# A SPECTRA B200STR

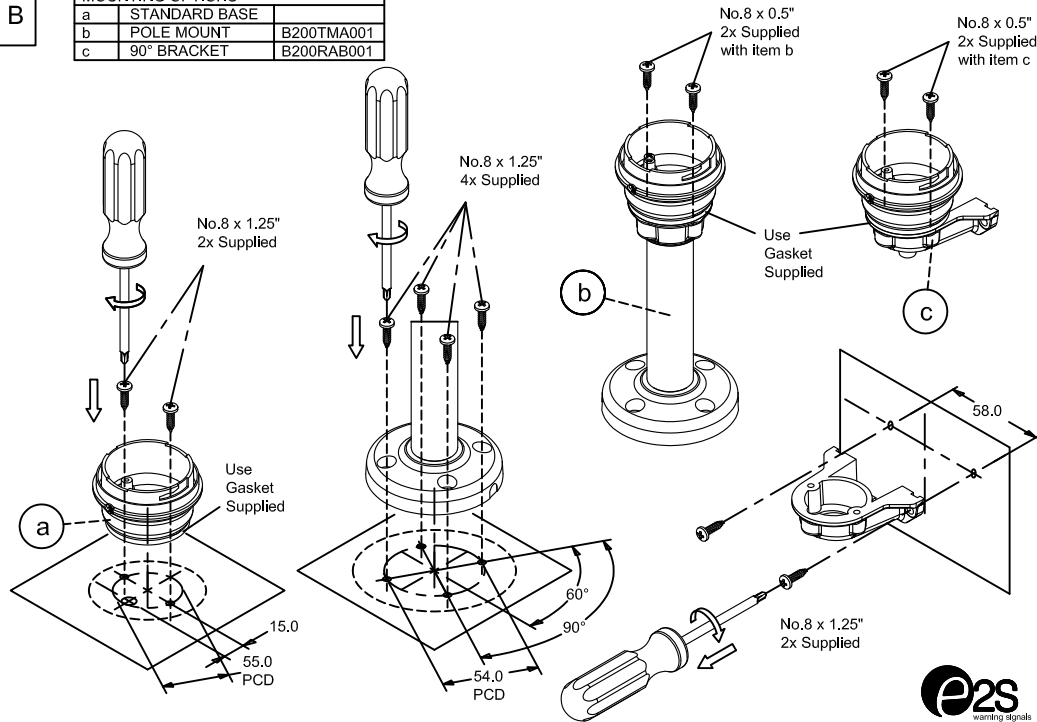


Tel: +44 (0)20 8743 8880 Fax: +44 (0)20 8740 4200  
 mail: sales@e2s.com web: www.e2s.com



**B**

MOUNTING OPTIONS	
a	STANDARD BASE
b	POLE MOUNT B200TMA001
c	90° BRACKET B200RAB001



Dimensions in mm

