

SPECTRA B200LDA

Permanent L.E.D. Array Beacon

9 x High powered L.E.D's

IP Rating: IP65

Temp: -25°C to +50°C

Unit weight: 78g
CE

Dimensions : Ø60 x 80mm

2.5mm² terminals

Cable entry: 1 x 5-7mm push through
grommet

X = Lens colour

R = Red

B = Blue

Y = Yellow

A = Amber

G = Green

Voltage

B200LDA030B/x 10-30V DC 80mA

B200LDA230B/x 90-230V AC 32mA

Mountings

B200RAB001 Right angle bracket

B200TMA001 Tube mounting assembly

Tel : +44 (0)20 8743 8880 Fax : +44 (0)20 8740 4200
 email : sales@e2s.com web : www.e2s.com



ATTENTION: Installation must be carried out by an electrician in compliance with the latest codes and regulations.



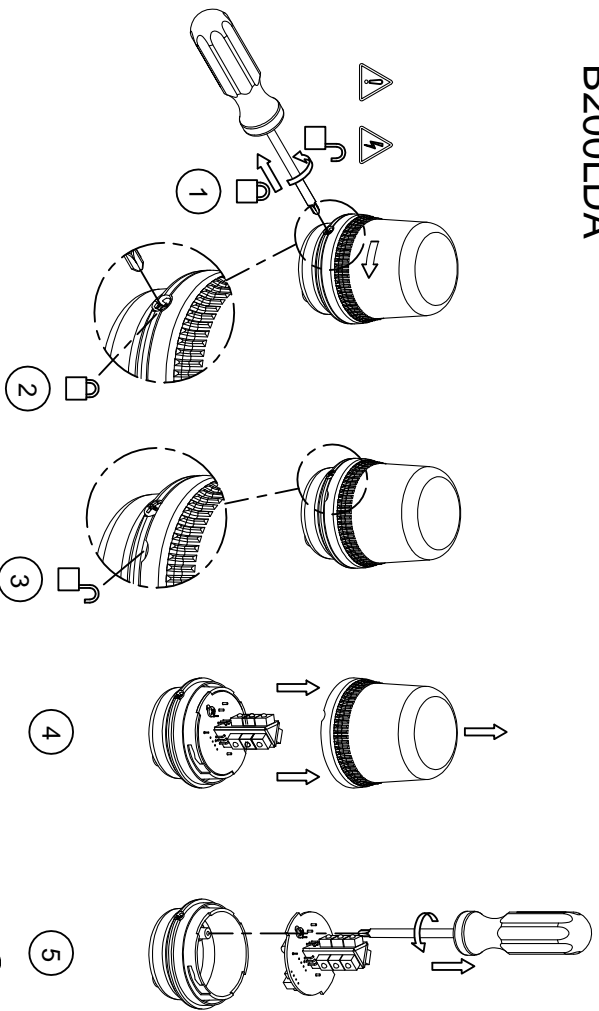
ATTENTION: Disconnect from power source before installation or service to prevent electric shock.



ATTENTION: Lens on unit will be hot allow to cool prior to removal.



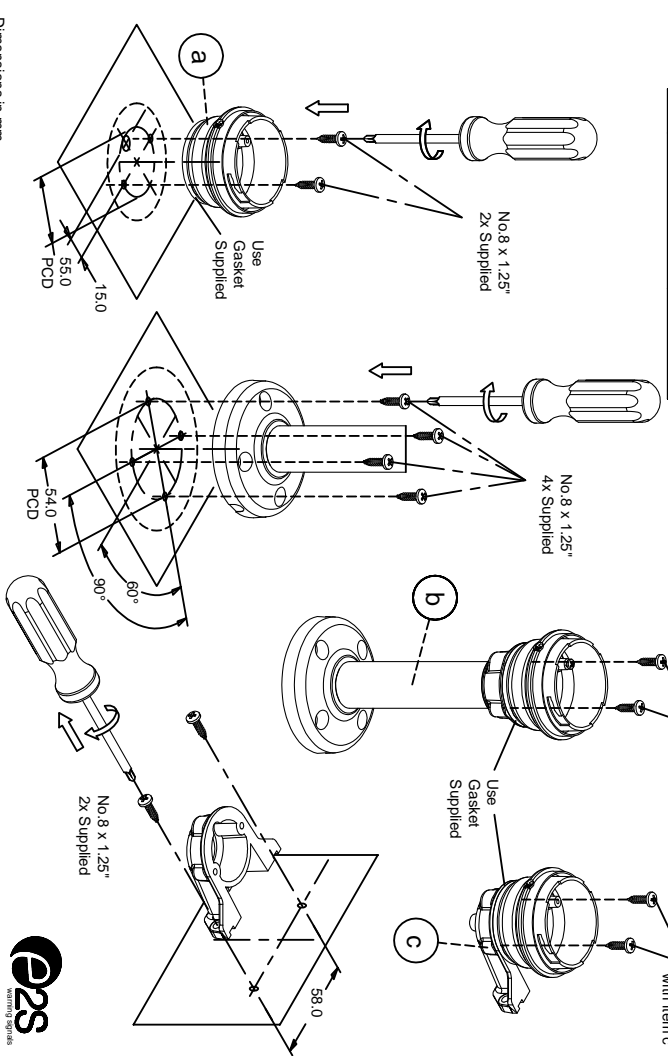
A SPECIIRA B200LDA



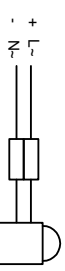
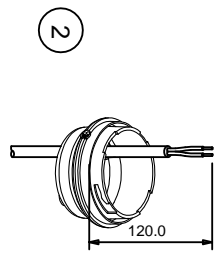
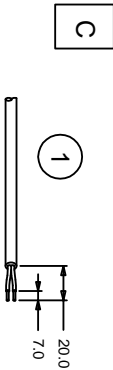
Tel: +44 (0)20 8743 8880 Fax: +44 (0)20 8740 4200
 Mail: sales@e2s.com Web: www.e2s.com



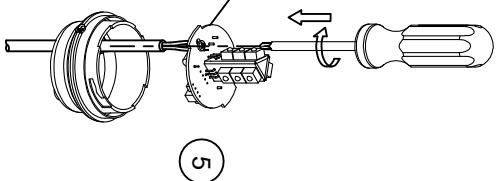
MOUNTING OPTIONS	
a	STANDARD BASE
b	POLE MOUNT
c	90° BRACKET



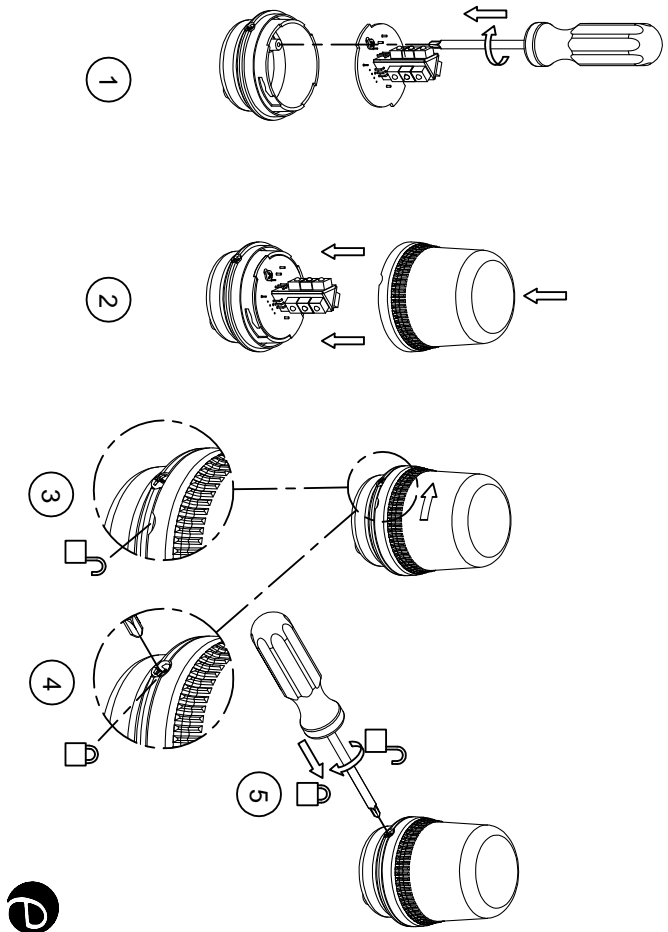
Dimensions in mm



D/C	A/C
+	L
-	N



D



Dimensions in mm



D104-00-001-15-SHTZJSU_E_B