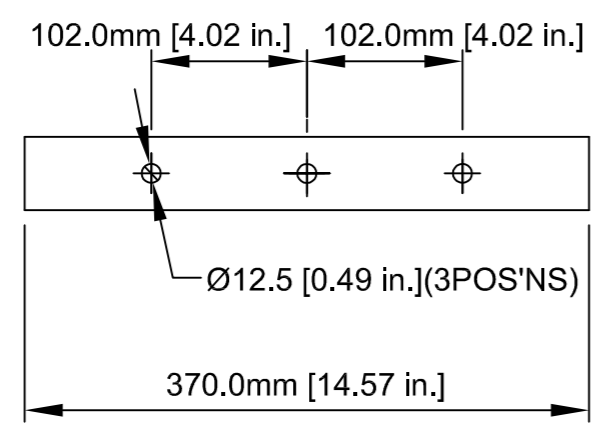
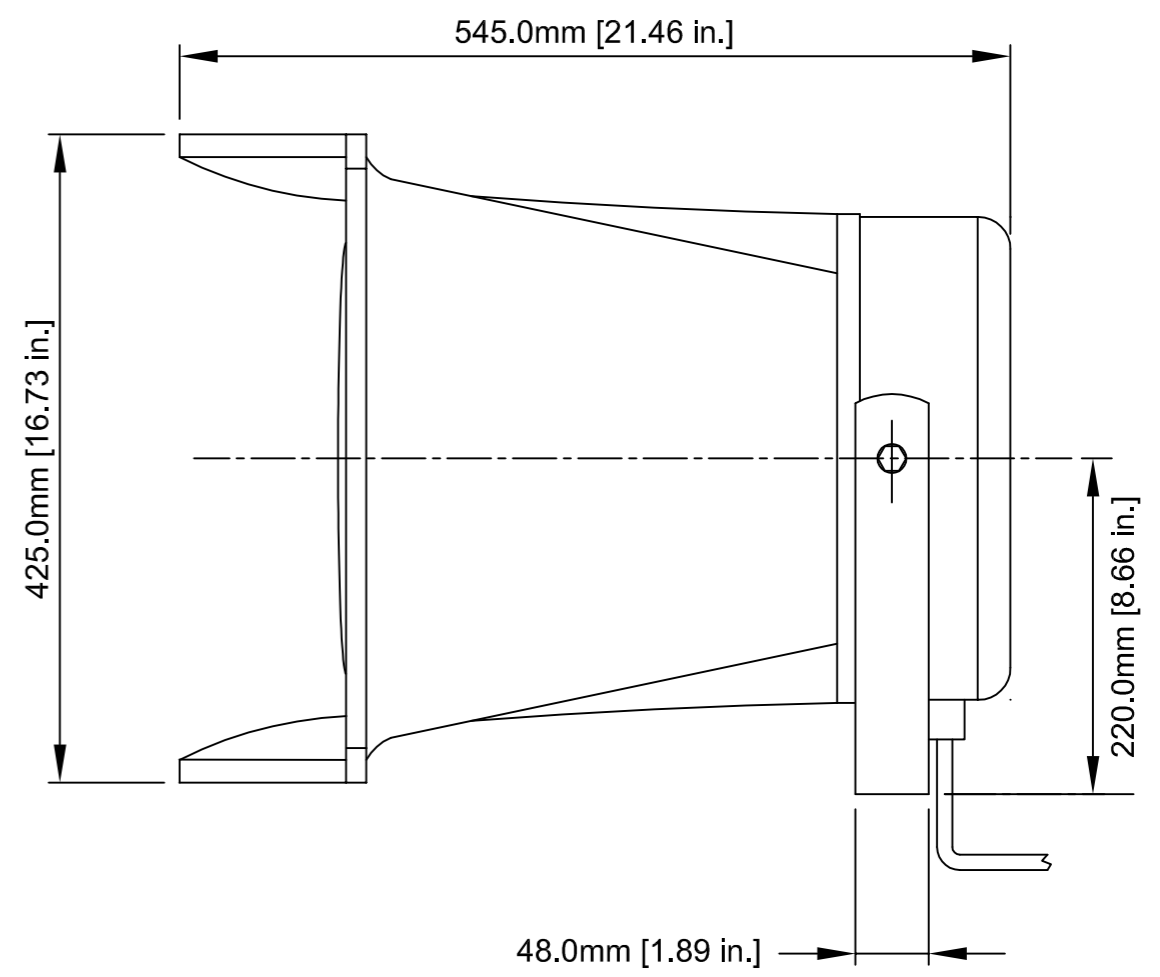
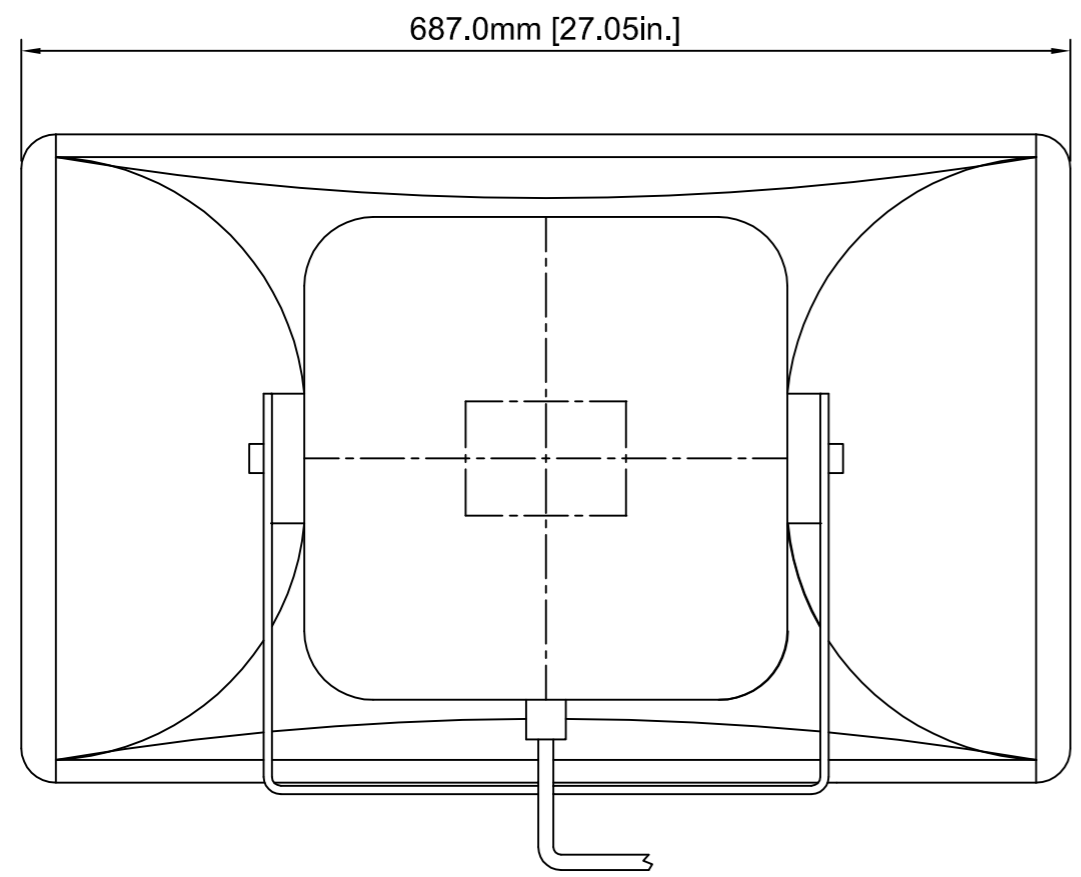


8	9	10
ISSUE	MOD No.	REASON - INITIAL - DATE
A		INTRODUCTION OF PART STC 02-03-11
B		UPDATED TO DUAL DIMS. RSR 26-06-13



E2S PART NO.	DESCRIPTION	DATA REFERENCE
A141...	A141 HIGH LEVEL AUDIBLE WARNING SYSTEM	3.11.020

WHERE APPLICABLE '-UL' VERSIONS ARE COVERED BY THIS OUTLINE DRAWING.

DRAWING TO BS8888:2000 GEOMETRIC TOLERANCES TO ISO1101:1983 LINEAR DIMENSIONAL TOLS +/-0.35mm ANGULAR DIMENSIONAL TOLS +/-2 deg	DRAWN	DATE	SURFACE FINISH	WEIGHT (Kg)
	ST CHU	02-03-11		
	STANDARDS	CHECKED	DATE	MATERIAL
A141	R.N.POTTS	02-03-11	ALTERNATIVE MATERIAL	
	APPROVED	DATE		
	R.N.POTTS	02-03-11		

THIS DRAWING AND ANY INFORMATION OR DESCRIPTIVE MATTER THEREIN IS COMMUNICATED IN CONFIDENCE AND IS THE COPYRIGHT PROPERTY OF EUROPEAN SAFETY SYSTEMS LTD. NEITHER THE WHOLE OR ANY EXTRACT MAY BE DISCLOSED, LOANED, COPIED OR USED FOR MANUFACTURING OR TENDERING PURPOSES WITHOUT THEIR WRITTEN CONSENT.

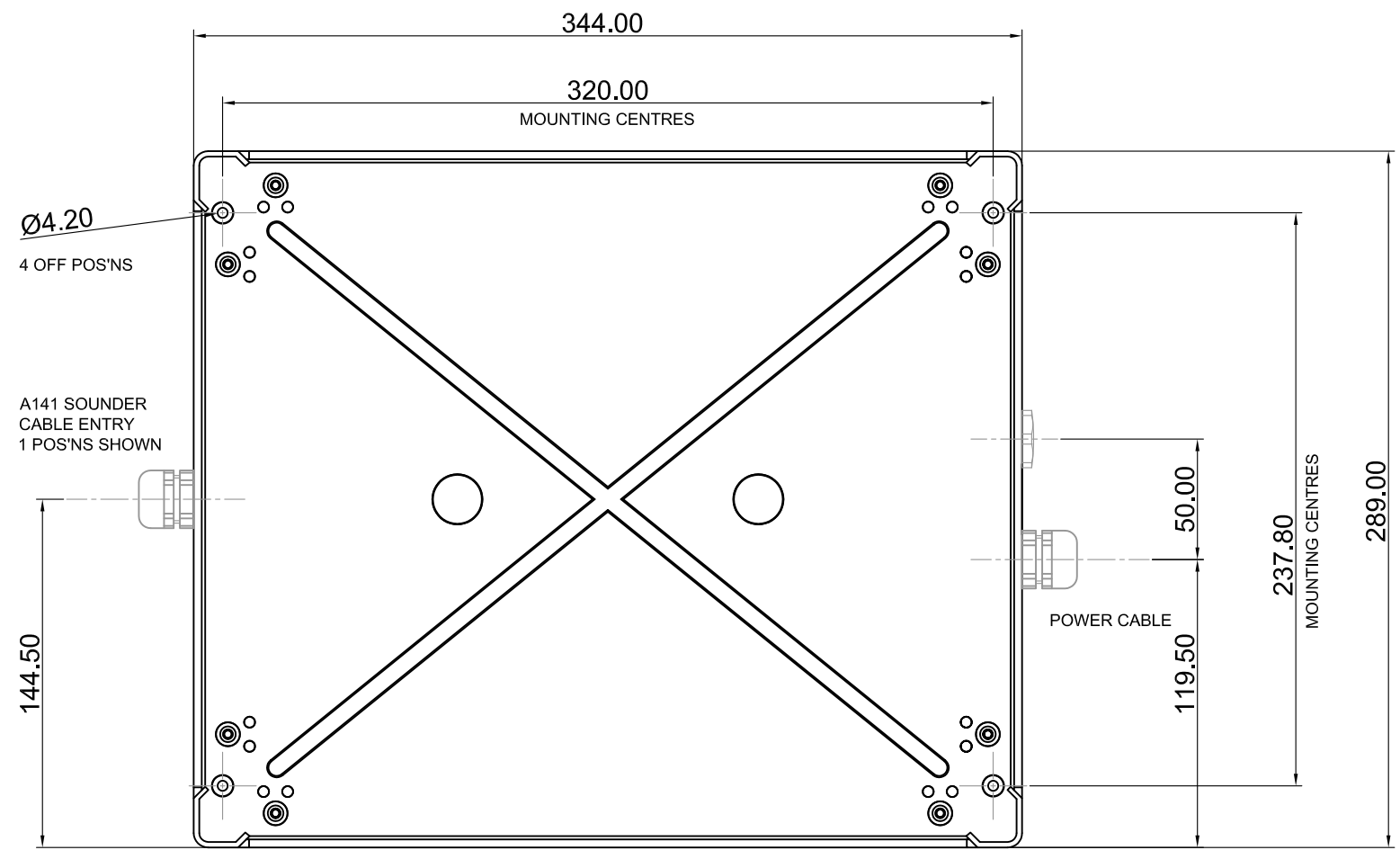
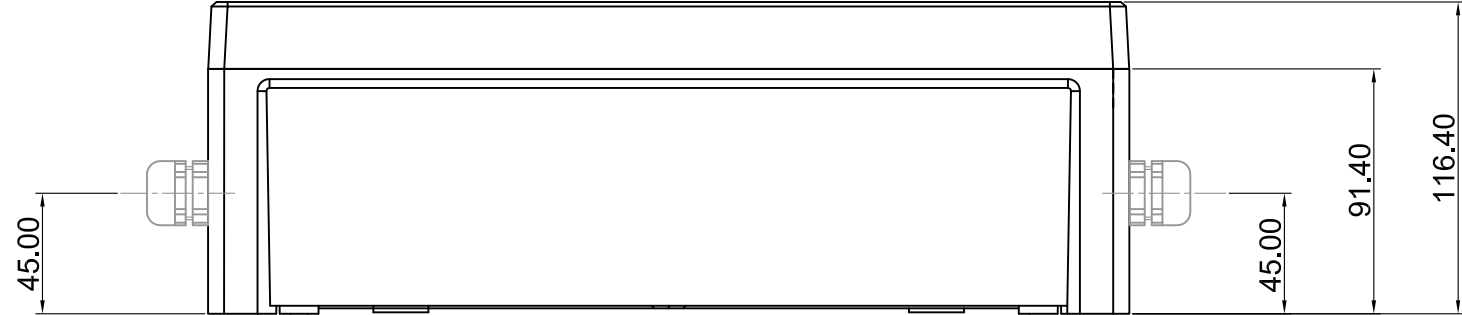
© EUROPEAN SAFETY SYSTEMS LTD.
AS PER LATEST DATE OF ISSUE SHOWN ABOVE

e2s
warning signals

EUROPEAN SAFETY SYSTEMS LTD
IMPRESS HOUSE
MANSELL ROAD
ACTON
LONDON W3 7QH
WWW.E2S.COM

ALL DIMENSIONS IN MM IF IN DOUBT, ASK - DO NOT SCALE			A3
TITLE A141 SOUNDER UNIT			
SCALE 1:5	SHEET 1 OF 1	DRAWING NUMBER SK0179	

ISSUE	MOD No.	INITIAL/DATE
A		INTRODUCTION OF PART RNP 01-02-11
B		DIMS CLARIFIED SIDE VIEW ADDED RNP 03-03-11



NOTE:- A131 SOUNDER DIFFER BETWEEN 1 AND 4 CABLE ENTRY POS'NS (NOT SHOWN)

DESCRIPTION

A131 STANDARD CONTROL PANEL OUTLINE WITH MOUNTING CTRS

A141 STANDARD CONTROL PANEL OUTLINE WITH MOUNTING CTRS

DRAWING TO BS8888:2000 GEOMETRIC TOLERANCES TO ISO1101:1983 LINEAR DIMENSIONAL TOLS ANGULAR DIMENSIONAL TOLS	DRAWN R.N.POTTS	DATE 01-02-11	SURFACE FINISH	WEIGHT (Kg)	THIS DRAWING AND ANY INFORMATION OR DESCRIPTIVE MATTER THEREIN IS COMMUNICATED IN CONFIDENCE AND IS THE COPYRIGHT PROPERTY OF EUROPEAN SAFETY SYSTEMS LTD. NEITHER THE WHOLE OR ANY EXTRACT MAY BE DISCLOSED, LOANED, COPIED OR USED FOR MANUFACTURING OR TENDERING PURPOSES WITHOUT THEIR WRITTEN CONSENT. © EUROPEAN SAFETY SYSTEMS LTD. AS PER LATEST DATE OF ISSUE SHOWN ABOVE	 EUROPEAN SAFETY SYSTEMS LTD IMPRESS HOUSE MANSELL ROAD ACTON LONDON W3 7QH WWW.E2S.COM	ALL DIMENSIONS IN MM IF IN DOUBT, ASK - DO NOT SCALE		A2
	CHECKED	DATE	MATERIAL	TITLE A131 & A141 CONTROL UNIT PANEL MOUNTING OUTLINE			SCALE 1:2	SHEET 1 OF 1	DRAWING NUMBER SK0178
	STANDARDS	APPROVED	DATE	ALTERNATIVE MATERIAL					