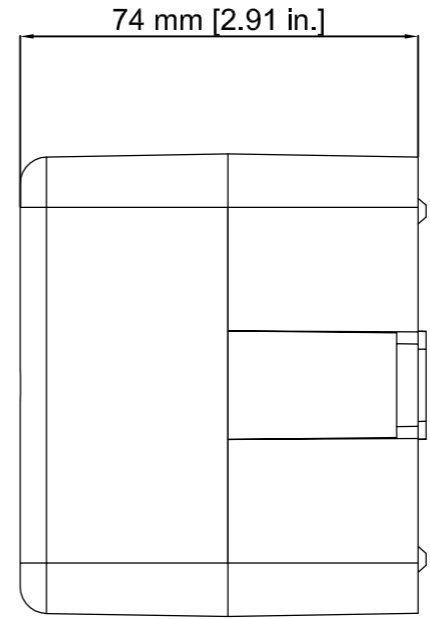
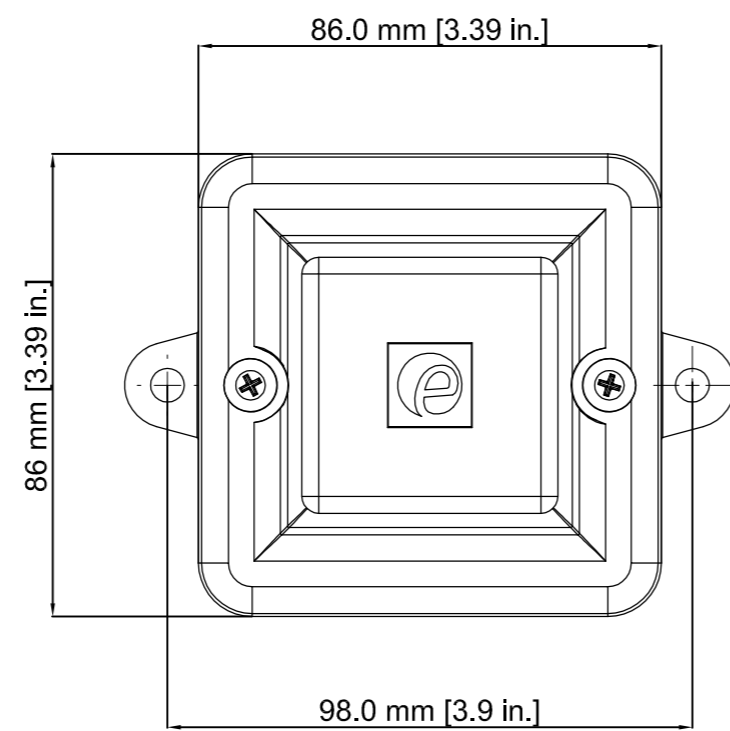
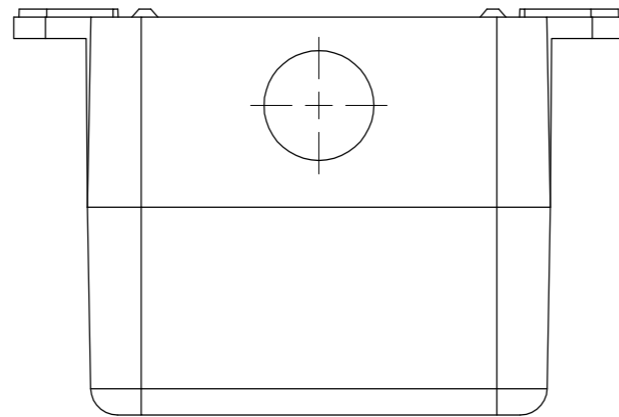


ISSUE	MOD No.	INITIAL/DATE
A		INTRODUCTION OF PART RSR 10-08-15



E2S PART NO.	DESCRIPTION	DATA REFERENCE
A100...	A100 ALARM SOUNDER	2.21.040
A100SONTEL...	A100SONTEL TELEPHONE INITIATED ALARM SOUNDER	2.21.050

DRAWING TO BS8888:2000 GEOMETRIC TOLERANCES TO ISO1101:1983 LINEAR DIMENSIONAL TOLS ANGULAR DIMENSIONAL TOLS	DRAWN R. RAIT	DATE 10-08-15	SURFACE FINISH	WEIGHT (Kg)	THIS DRAWING AND ANY INFORMATION OR DESCRIPTIVE MATTER THEREIN IS COMMUNICATED IN CONFIDENCE AND IS THE COPYRIGHT PROPERTY OF EUROPEAN SAFETY SYSTEMS LTD. NEITHER THE WHOLE OR ANY EXTRACT MAY BE DISCLOSED, LOANED, COPIED OR USED FOR MANUFACTURING OR TENDERING PURPOSES WITHOUT THEIR WRITTEN CONSENT.	 EUROPEAN SAFETY SYSTEMS LTD IMPRESS HOUSE MANSELL ROAD ACTON LONDON W3 7QH WWW.E2S.COM	ALL DIMENSIONS IN MM IF IN DOUBT, ASK - DO NOT SCALE	 A2
	CHECKED B. ISARD	DATE 10-08-15	MATERIAL					
	APPROVED R. POTTS	DATE 10-08-15	ALTERNATIVE MATERIAL					
STANDARDS					© EUROPEAN SAFETY SYSTEMS LTD. AS PER LATEST DATE OF ISSUE SHOWN ABOVE		TITLE A100 STANDARD SOUNDER RANGE - OUTLINE SCALE 1:1 SHEET 1 OF 1 DRAWING NUMBER SK0395	