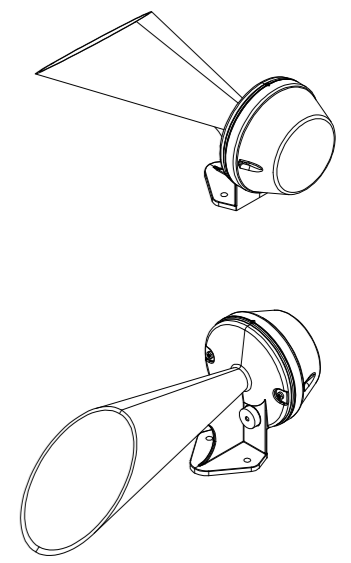
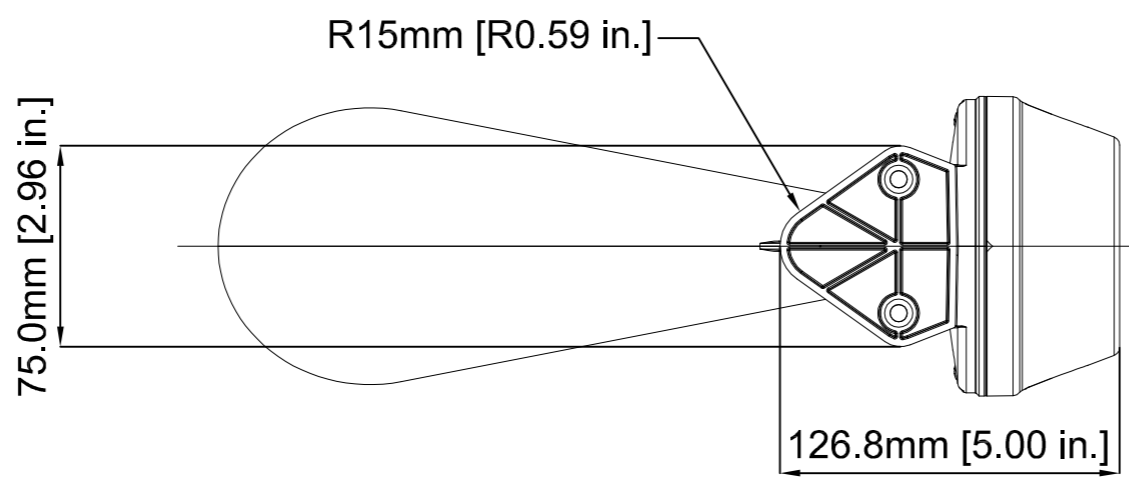
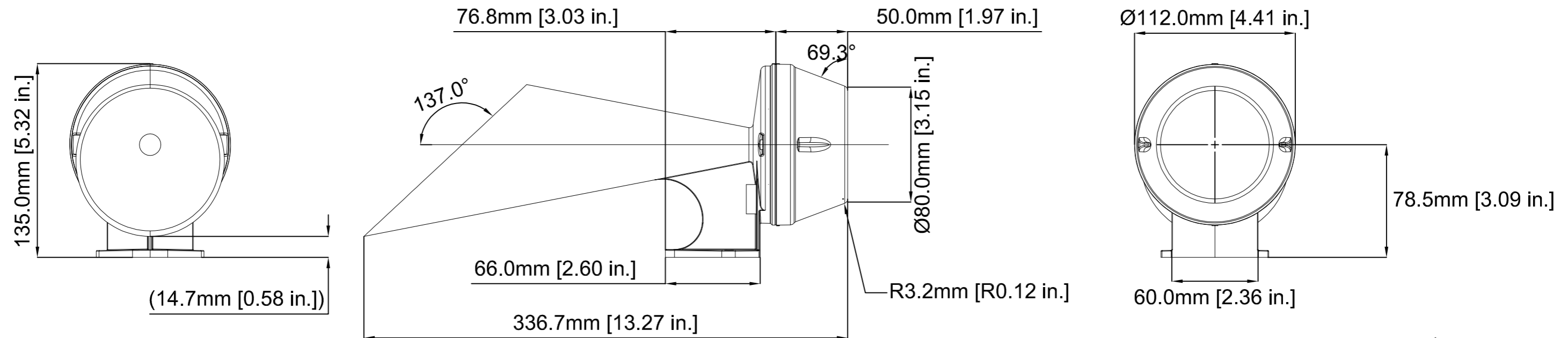
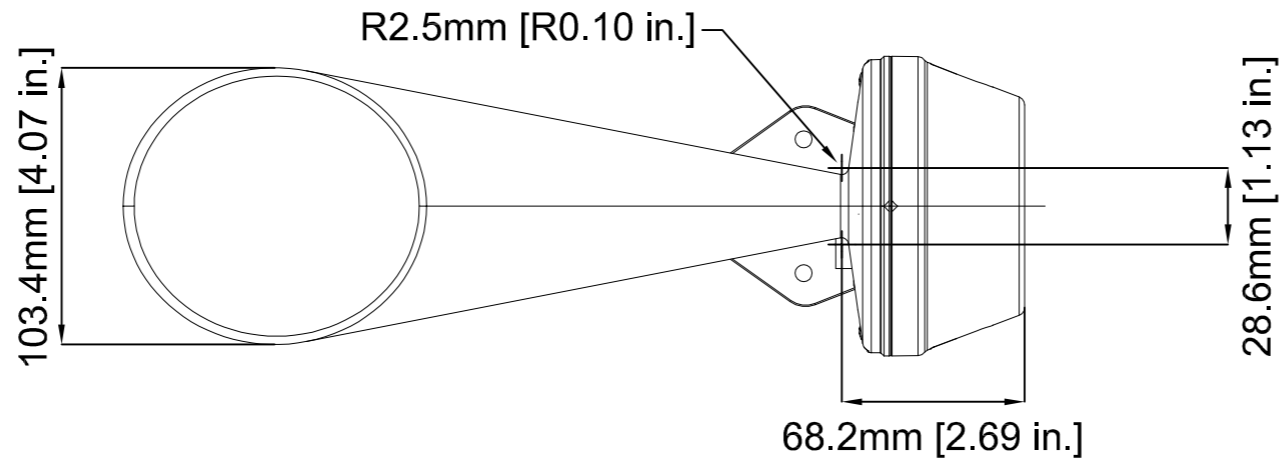


ISSUE	MOD No.	REASON - INITIAL - DATE
A		INTRODUCTION OF ASSEMBLY OUTLINE FOR CARTON DESIGN, STC 09-03-09
B		UPDATED TO DUAL DIMS. RSR 26-06-13



SCALE 1 : 5

E2S PART NO.	DESCRIPTION	DATA REFERENCE
H110T...	H110T SIGNALLING HORN WITH TRUMPET	2.21.180

WHERE APPLICABLE '-UL' VERSIONS ARE COVERED BY THIS OUTLINE DRAWING.

DRAWING TO BS8888:2000 GEOMETRIC TOLERANCES TO ISO1101:1983 LINEAR DIMENSIONAL TOLS ANGULAR DIMENSIONAL TOLS	DRAWN	DATE	SURFACE FINISH	WEIGHT (Kg)
	R.N.POTTS	09:03:09	FINISH	
	CHECKED	DATE	MATERIAL	
STANDARDS	R.N.POTTS	09:03:09		
SPECTRA	APPROVED	DATE	ALTERNATIVE MATERIAL	
	R.N.POTTS	09:03:09		

THIS DRAWING AND ANY INFORMATION OR DESCRIPTIVE MATTER THEREIN IS COMMUNICATED IN CONFIDENCE AND IS THE COPYRIGHT PROPERTY OF EUROPEAN SAFETY SYSTEMS LTD. NEITHER THE WHOLE OR ANY EXTRACT MAY BE DISCLOSED, LOANED, COPIED OR USED FOR MANUFACTURING OR TENDERING PURPOSES WITHOUT THEIR WRITTEN CONSENT.

© EUROPEAN SAFETY SYSTEMS LTD. AS PER LATEST DATE OF ISSUE SHOWN ABOVE



ALL DIMENSIONS IN MM IF IN DOUBT, ASK - DO NOT SCALE			A2	
TITLE OUTLINE DRAWING H110T TRUMPET HORN				
SCALE	SHEET	DRAWING NUMBER		
1:2	1 OF 1	SK0063		