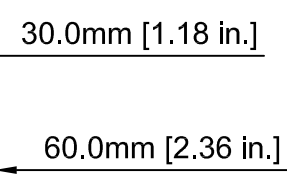
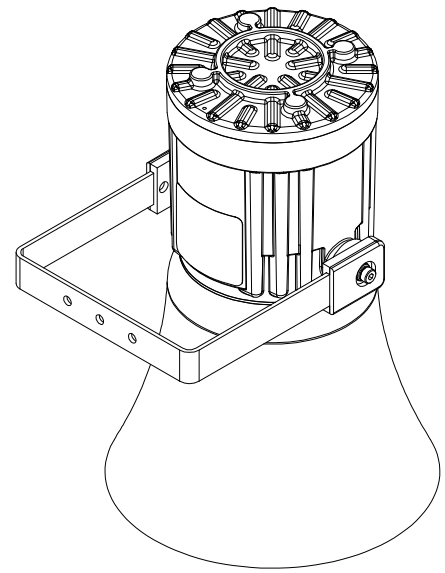
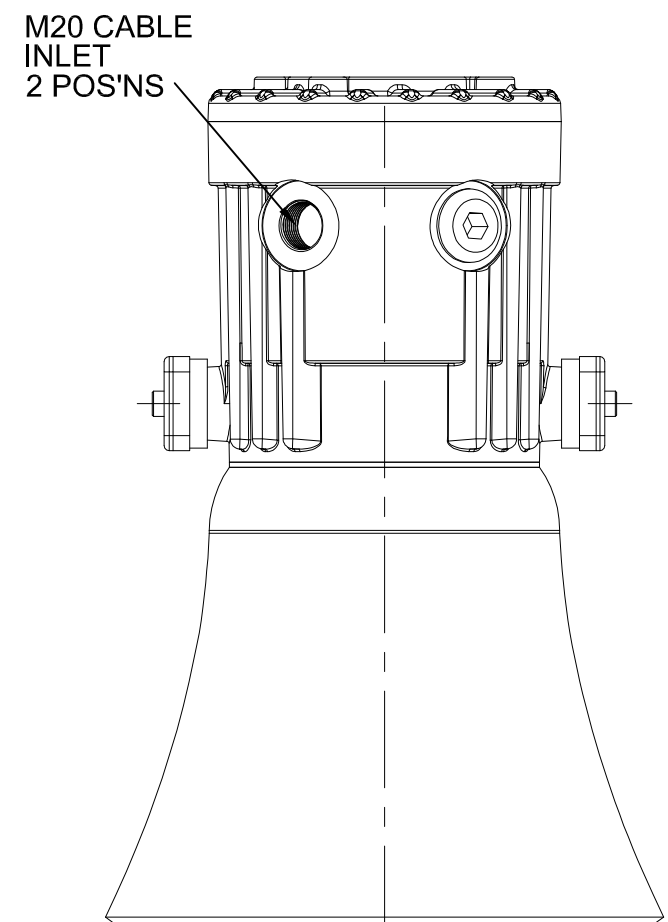
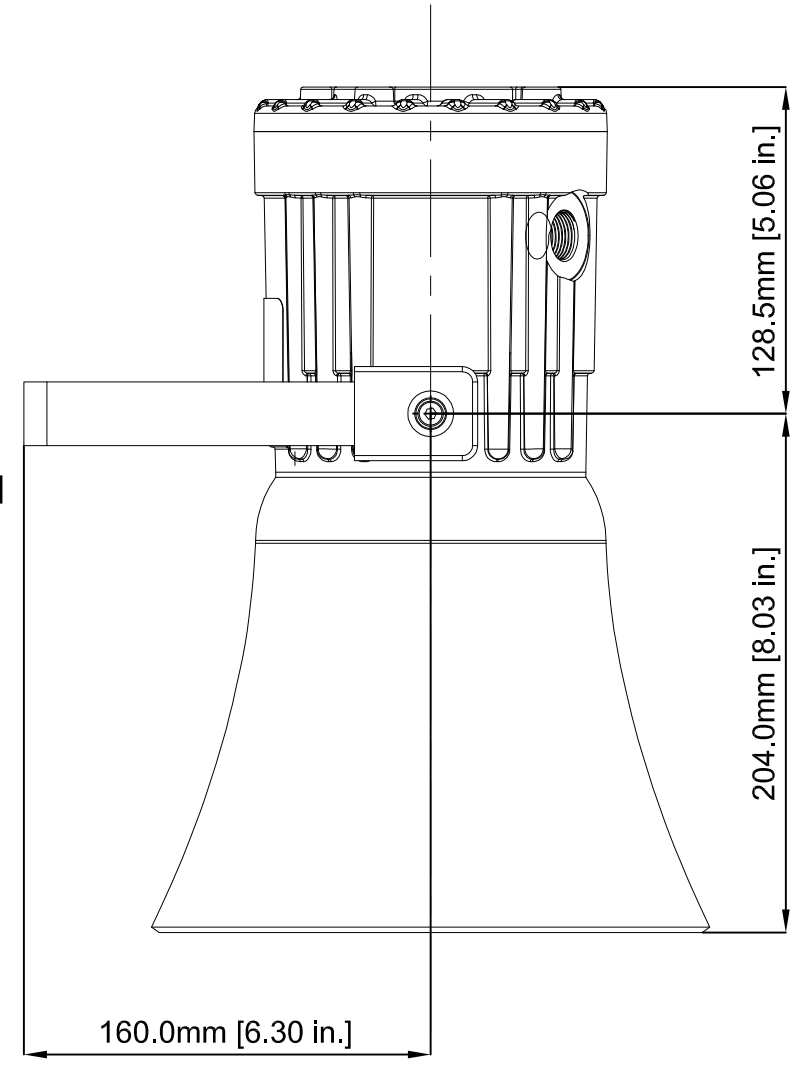
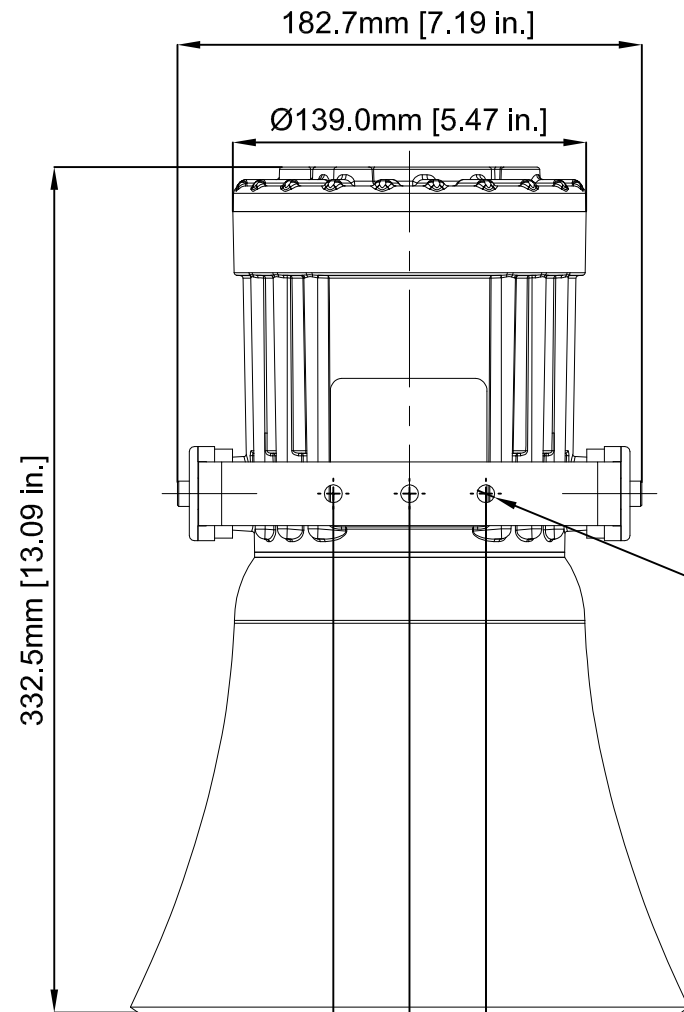


ISSUE	MOD No.	REASON - INITIAL - DATE
A		Introduction - S.T.C - 16:04:2012
B		Dual Dimensions - R.S.R - 07:06:2013



E2S PART NO.	DESCRIPTION	DATA REFERENCE
GNExL2...	GNExL2 PA LOUDSPEAKER	1.22.100
GNExS2...	GMExS2 ALARM SOUNDER/HORN	1.22.020

WHERE APPLICABLE '-UL' VERSIONS ARE COVERED BY THIS OUTLINE DRAWING.

DRAWING TO BS8888:2000
 GEOMETRIC TOLERANCES TO ISO1101:1983
 LINEAR DIMENSIONAL TOLS
 ANGULAR DIMENSIONAL TOLS

STANDARDS
 PRODUCT REF GNEx

DRAWN S T CHU	DATE 16:04:12
CHECKED R.N.POTTS	DATE 16:04:12
APPROVED R.N.POTTS	DATE 16:04:12

SURFACE FINISH FINISH	WEIGHT (Kg)
MATERIAL	
ALTERNATIVE MATERIAL	

THIS DRAWING AND ANY INFORMATION OR DESCRIPTIVE MATTER THEREIN IS COMMUNICATED IN CONFIDENCE AND IS THE COPYRIGHT PROPERTY OF EUROPEAN SAFETY SYSTEMS LTD. NEITHER THE WHOLE OR ANY EXTRACT MAY BE DISCLOSED, LOANED, COPIED OR USED FOR MANUFACTURING OR TENDERING PURPOSES WITHOUT THEIR WRITTEN CONSENT.

© EUROPEAN SAFETY SYSTEMS LTD.
 AS PER LATEST DATE OF ISSUE SHOWN ABOVE

e2S
 warning signals

EUROPEAN SAFETY SYSTEMS LTD
 IMPRESS HOUSE
 MANSELL ROAD
 ACTON
 LONDON W3 7QH
 WWW.E2S.COM

ALL DIMENSIONS IN MM & [INCHES] IF IN DOUBT, ASK - DO NOT SCALE		A3
TITLE GNExS2 & GNExL2 OUTLINE		
SCALE	SHEET 1 OF 1	DRAWING NUMBER SK0224