

1

SPECTRA B450TSB

Traffic Light Static E27 Beacon
 25W E27 Filament bulb
 IP Rating: IP65
 Temp: -25°C to +50°C
 Unit weight: 380g
 CE

Dimensions : Ø140 x 177mm
 1.5mm² terminals
 Cable entry: 1 x 5-7mm push through
 grommet
 2 x M20 cable entry (IP65)

Order code Voltage
 B450TSB250B/x 12-250V DC/AC

x = Lens colour
 R = Red A = Amber
 B = Blue C = Clear
 G = Green Y = Yellow

Multi-unit connection possible using
 connector supplied
 B450 and B350 units are interconnectable

Bulbs E27
 BGS2525C27 24V 25W 1.04A
 BGS11025C27 115V 25W 217mA
 BGS24025C27 230V 25W 108mA

B450TSB unit is supplied without a bulb.
 Please order the correct voltage and
 wattage.

Tel : +44 (0)20 8743 8880 Fax : +44 (0)20 8740 4200
 mail : sales@e2s.com web : www.e2s.com



2



ATTENTION: Installation must be carried out by an electrician in compliance with the latest codes and regulations.



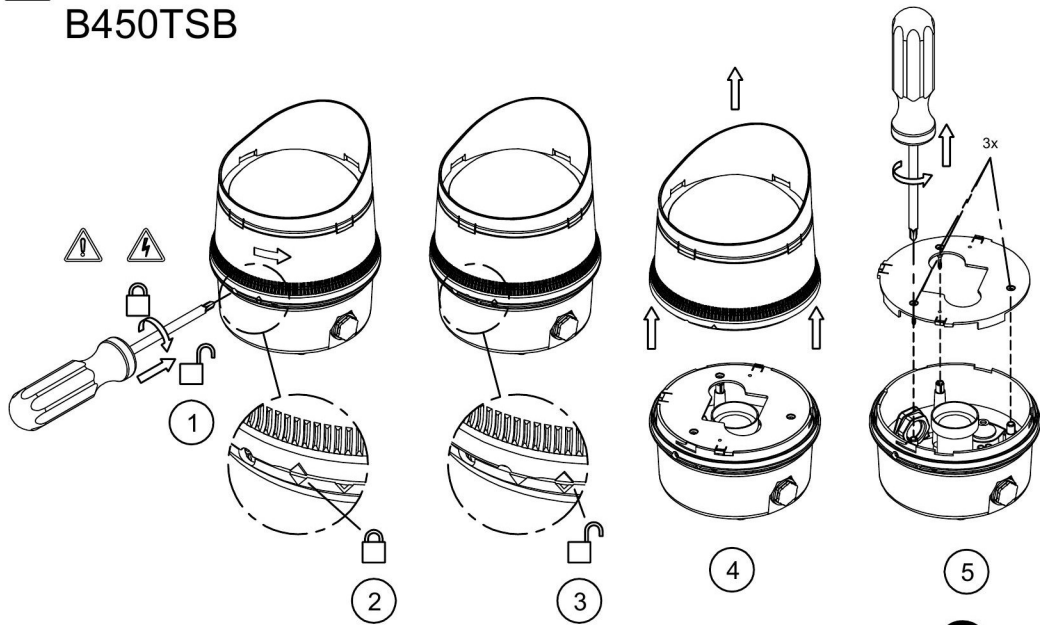
ATTENTION: Disconnect from power source before installation or service to prevent electric shock.



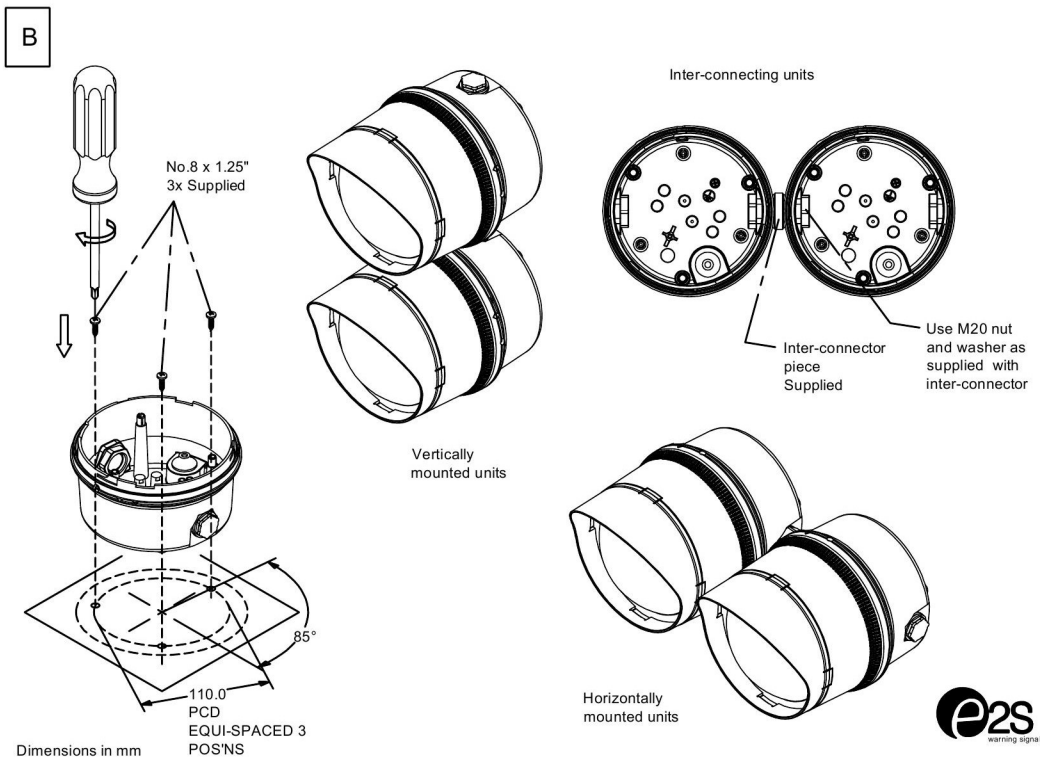
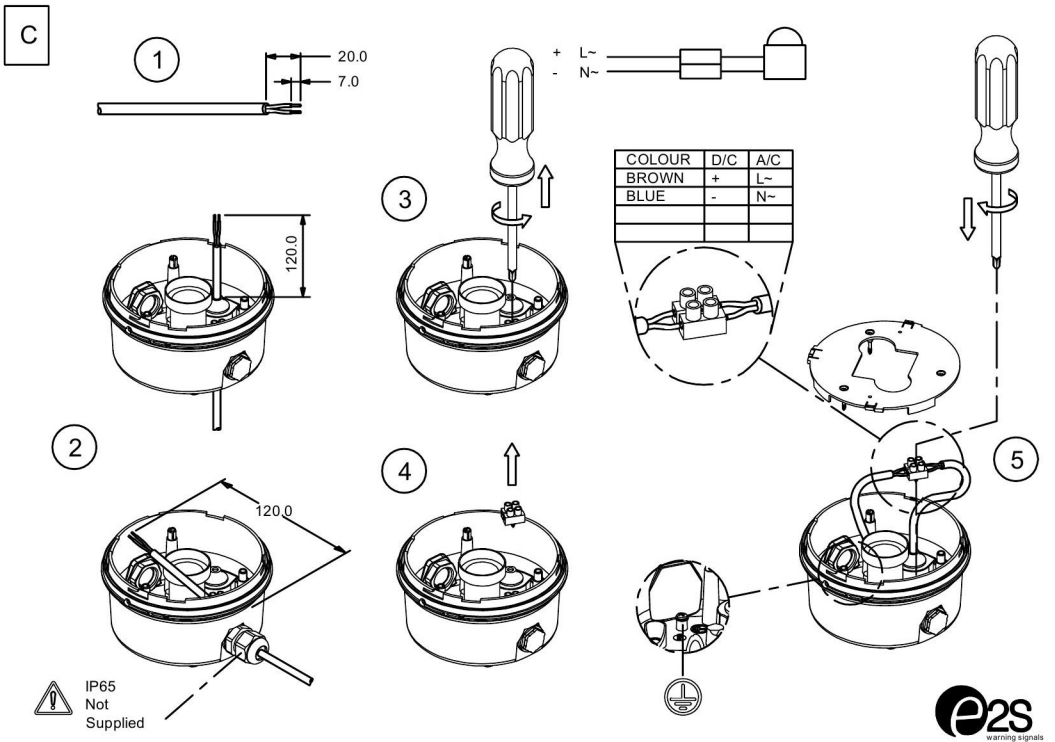
ATTENTION: Lens on unit will be hot allow to cool prior to removal.



A SPECTRA B450TSB



Tel : +44 (0)20 8743 8880 Fax : +44 (0)2 8740 4200
mail : sales@e2s.com web : www.e2s.com



Dimensions in mm

