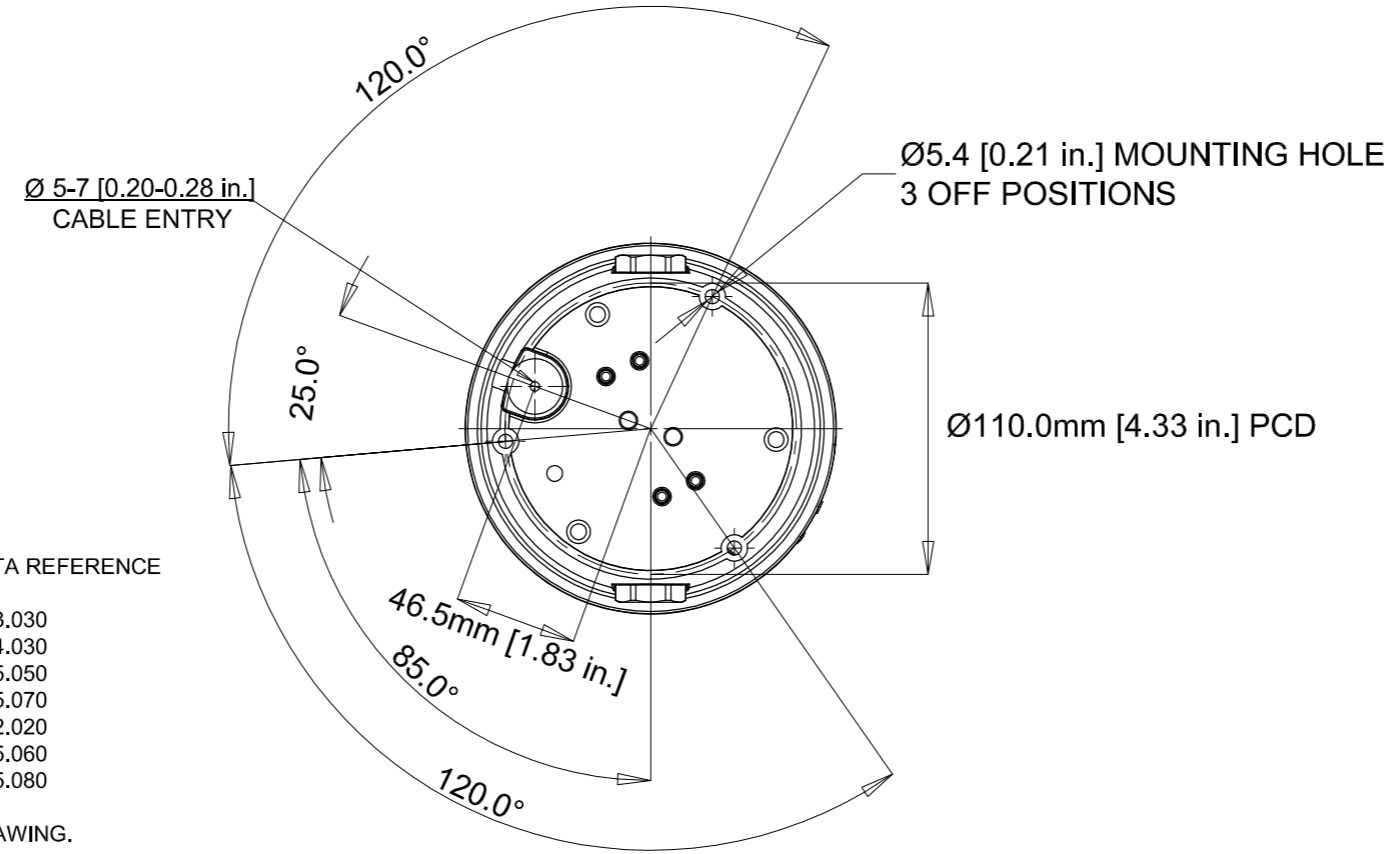
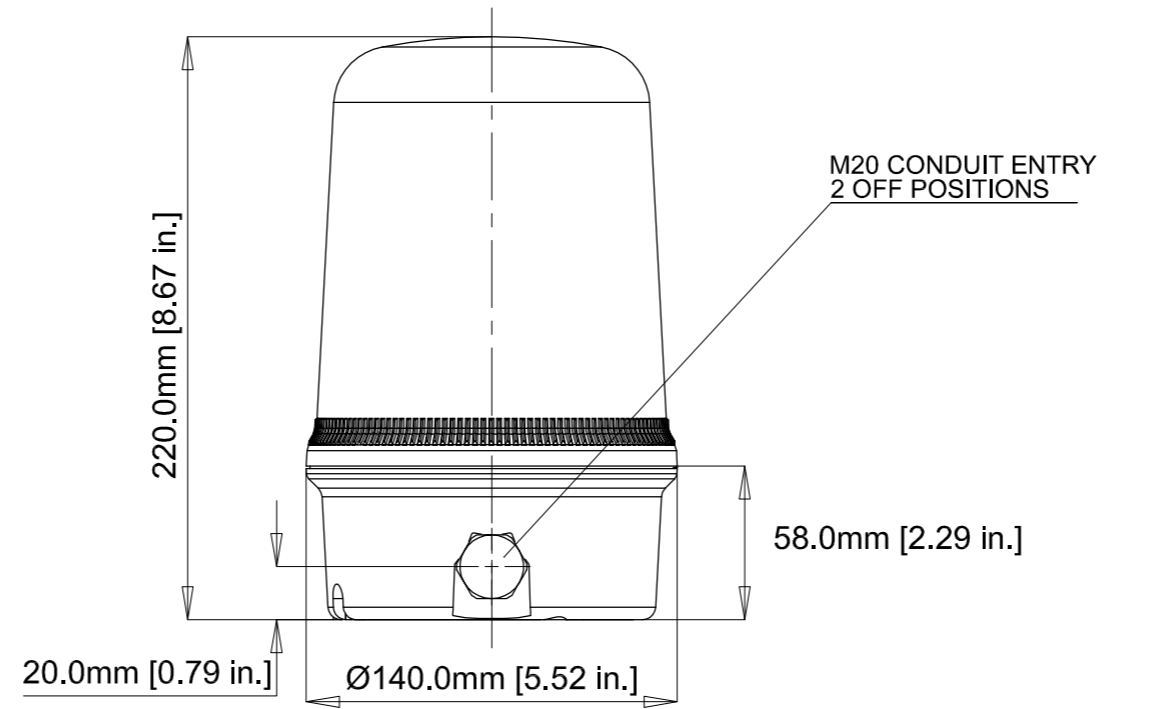


ISSUE	MOD No.	REASON - INITIAL - DATE
A		INTRODUCTION OF PART RNP 25-10-07
B		UPDATED TO DUAL DIMS. RSR 24-06-13



E2S PART NO.	DESCRIPTION	DATA REFERENCE
B400STR...	B400STR XENON STROBE BEACON	2.13.030
B400LDA...	B400LDA LED BEACON (MULTI FUNCTION ARRAY)	2.14.030
B400SLF...	B400SLF STATUS BEACON (FILAMENT LAMP)	2.15.050
B400FLF...	B400FLF BLINKING BEACON (HALOGEN LAMP)	2.15.070
B400RTH...	B400RTH LED PERMANENT BEACON	2.12.020
B400SLH...	B400SLH STATUS BEACON (FILAMENT LAMP)	2.15.060
B400FLH...	B400FLH BLINKING BEACON (HALOGEN LAMP)	2.15.080

WHERE APPLICABLE '-UL' VERSIONS ARE COVERED BY THIS OUTLINE DRAWING.

DRAWING TO BS8888:2000 GEOMETRIC TOLERANCES TO ISO1101:1983 LINEAR DIMENSIONAL TOLS ANGULAR DIMENSIONAL TOLS	DRAWN R.N.POTTS	DATE 25.10.07	SURFACE FINISH FINISH	WEIGHT (Kg)	<p>THIS DRAWING AND ANY INFORMATION OR DESCRIPTIVE MATTER THEREIN IS COMMUNICATED IN CONFIDENCE AND IS THE COPYRIGHT PROPERTY OF EUROPEAN SAFETY SYSTEMS LTD. NEITHER THE WHOLE OR ANY EXTRACT MAY BE DISCLOSED, LOANED, COPIED OR USED FOR MANUFACTURING OR TENDERING PURPOSES WITHOUT THEIR WRITTEN CONSENT.</p> <p>© EUROPEAN SAFETY SYSTEMS LTD. AS PER LATEST DATE OF ISSUE SHOWN ABOVE</p>	<p>EUROPEAN SAFETY SYSTEMS LTD IMPRESS HOUSE MANSELL ROAD ACTON LONDON W3 7QH WWW.E2S.COM</p>	ALL DIMENSIONS IN MM & [in.] IF IN DOUBT, ASK - DO NOT SCALE		A2
	STANDARDS PRODUCT REF	CHECKED	DATE	MATERIAL			TITLE B400 INSTALLATION OUTLINE SIZE		
		APPROVED	DATE	ALTERNATIVE MATERIAL			SCALE 1:2	SHEET 1 OF 1	DRAWING NUMBER SK0012