

1

# SPECTRA B300STR

Xenon Strobe Flashing Beacon

5J Xenon Flash Tube

Three modes : Flashing 1 Hz,  
Flashing 1.5Hz (DC units Only)

Double Strike (DC Units Only),  
Stage Switchable to Double  
Strike (DC Units Only)

IP Rating: IP65

Temp: -25°C to +50°C

Unit weight: 325g DC : 300g AC

CE Marked

Dimensions : Ø100 x 150mm

1.5mm<sup>2</sup> terminals

Cable entry: 1 x 5-7mm push through  
grommet

1 x M20 cable entry ( IP65)

[x] = Lens colour

R = Red

A = Amber

B = Blue

C = Clear

G = Green

Y = Yellow

Order code

Voltage

B300STR012B/[x]

12V DC/AC 500/600mA

B300STR024B/[x]

24V DC/AC 250/300mA

B300STR048B/[x]

48V DC/AC 175/250mA

B300STR115B/[x]

115V AC 70mA

B300STR230B/[x]

230V AC 35mA

Mountings

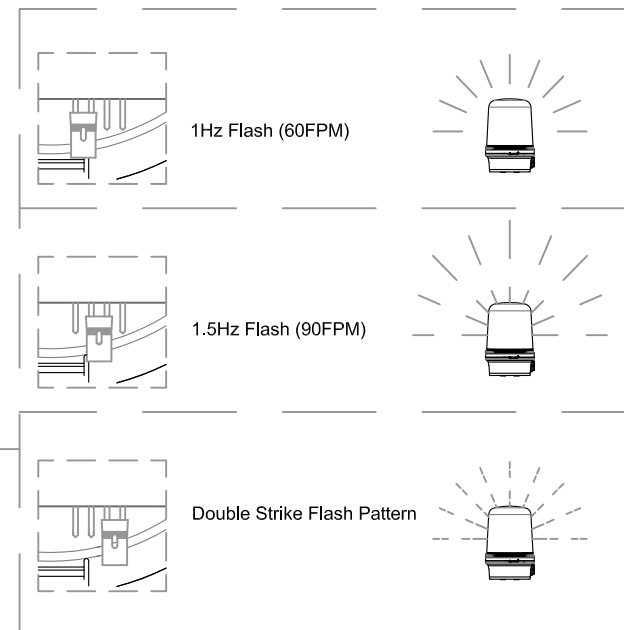
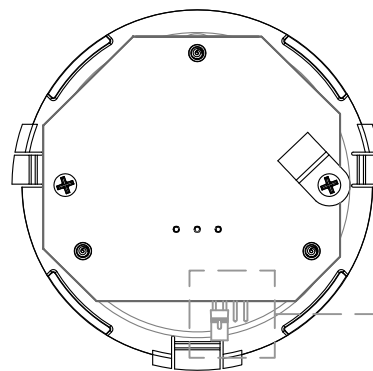
B300RAB001 Right angle bracket

B300TMA001 Tube mounting assembly

Tel : +44 (0)20 8743 8880 Fax : +44(0)20 8740 4200  
mail : sales@e2s.com web : www.e2s.com



## DC UNIT MODE SELECTION



2



**ATTENTION:** Installation must be carried out by an electrician in compliance with the latest codes and regulations.



**ATTENTION:** Disconnect from power source before installation or service to prevent electric shock.



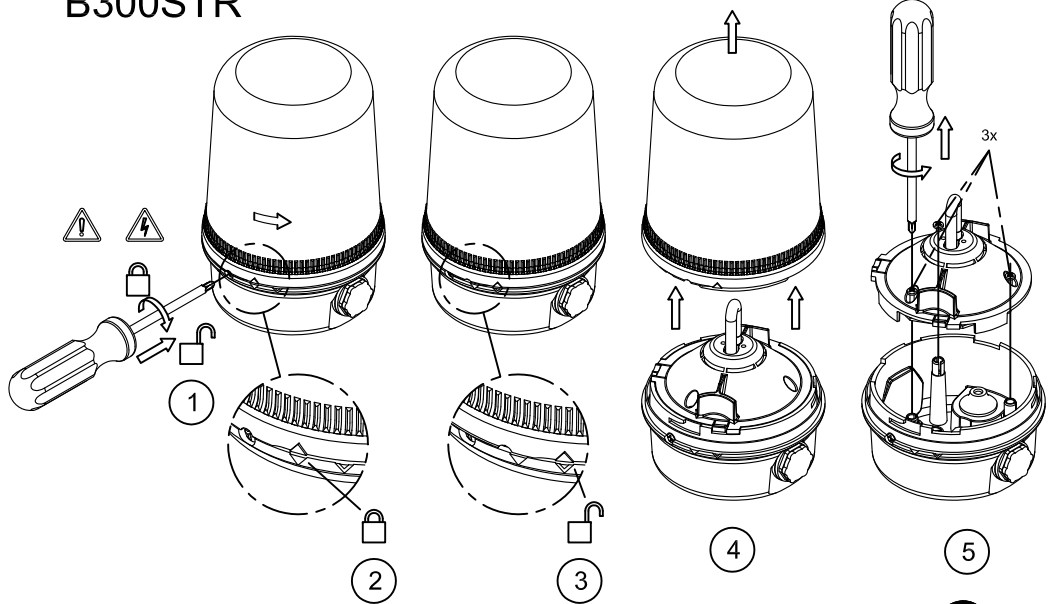
**ATTENTION:** On strobe beacons allow a minimum of 2 minutes for hazardous high voltage to discharge from unit.



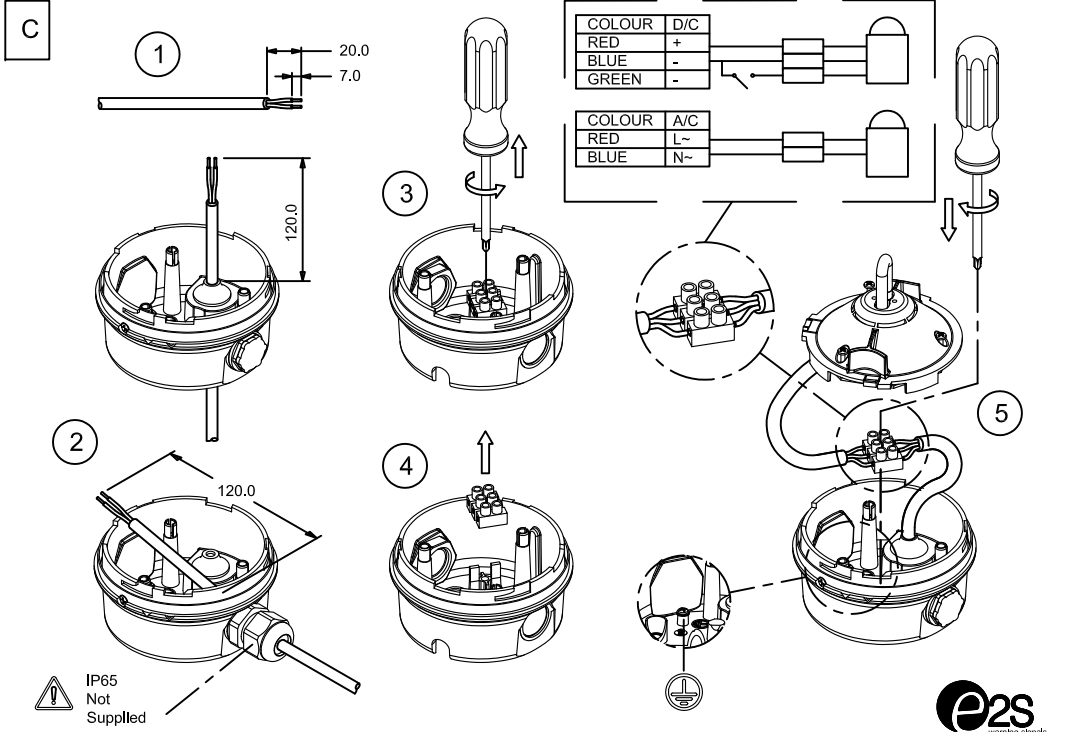
**ATTENTION:** Lens on unit will be hot allow to cool prior to removal.



# A SPECTRA B300STR

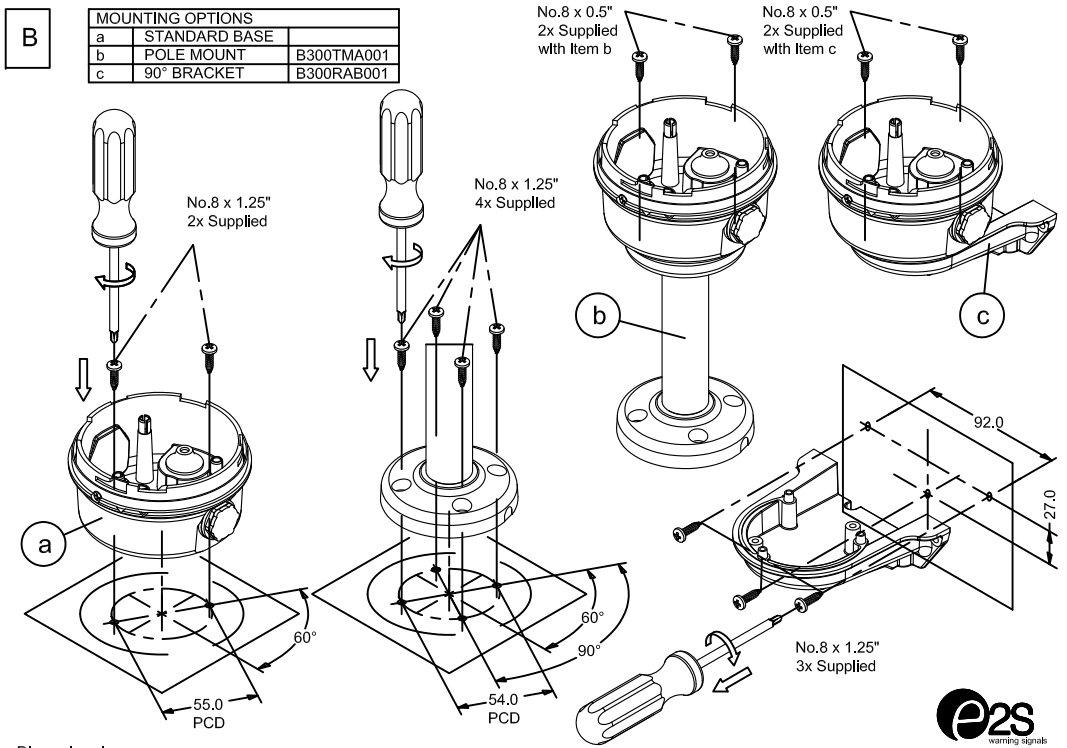


Tel : +44 (0)20 8743 8880 Fax : +44 (0)20 8740 4200  
 mail : sales@e2s.com web : www.e2s.com

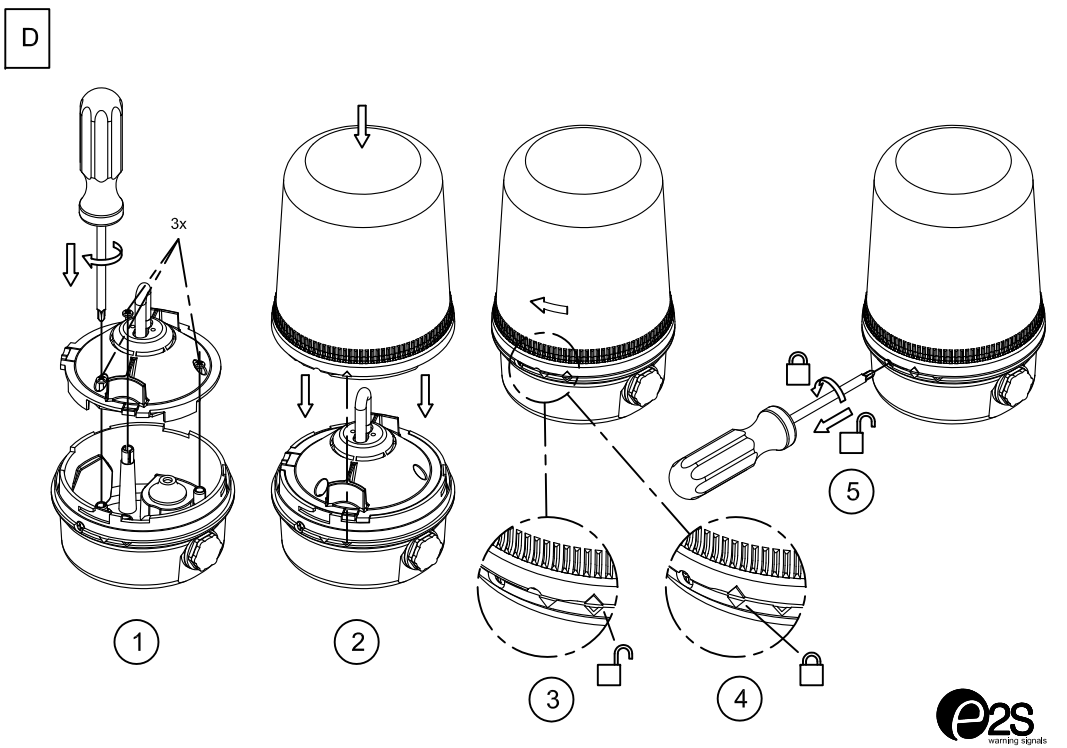


### B MOUNTING OPTIONS

a	STANDARD BASE	
b	POLE MOUNT	B300TMA001
c	90° BRACKET	B300RAB001



Dimensions in mm



D112-00-001-IS\_SHT2\_ISSUE\_1